

Bucket Crusher High Speed Model



www.uedaturb.co.jp

UEDA INDUSTRIES

Dedicated to Attachment Development Over 30 Years

Civil Works

Recycling

Waste Disposal

Demolition

Public Works

Forestry

Calm Screener



P12

Bucket Shredder



P10

Rubblade Cutter



P09

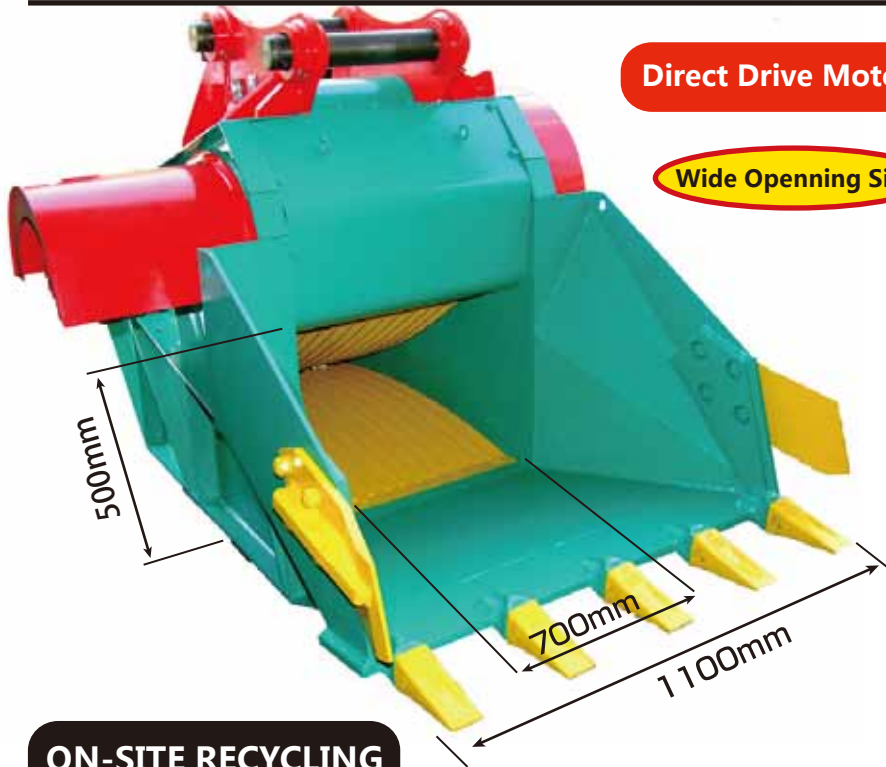
Super Brush Chopper



P13

30 Anniversary Edition

Bucket Crusher



Direct Drive Motor

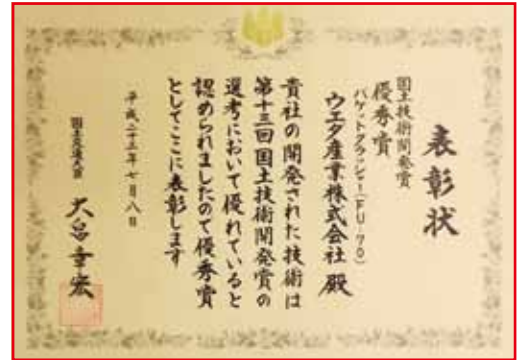
Wide Opening Size

Magnet is Optional



Won the Minister's Prize in Japan

The Ministry of Land, Infrastructure, Transport and Tourism



ON-SITE RECYCLING

Patented Countries

JAPAN

U.S.A.

CHINA

ITALY

U.K.

GERMANY

FRANCE

SPAIN

Advantages

- By reversing the rotation, clogged materials can be easily released.
- The upper and lower jaw plates can be exchanged with each other, and the rear and front sections can also be exchanged.
- Compared with other European manufacturers's belt drive system, Direct drive system's maintenance is much easier.
- Compression strength below 1500kg is crushable.
- Optimal design of Jaw Plates brings high efficiency of crushing
- 24V magnet is optional
- Drain line is necessary.

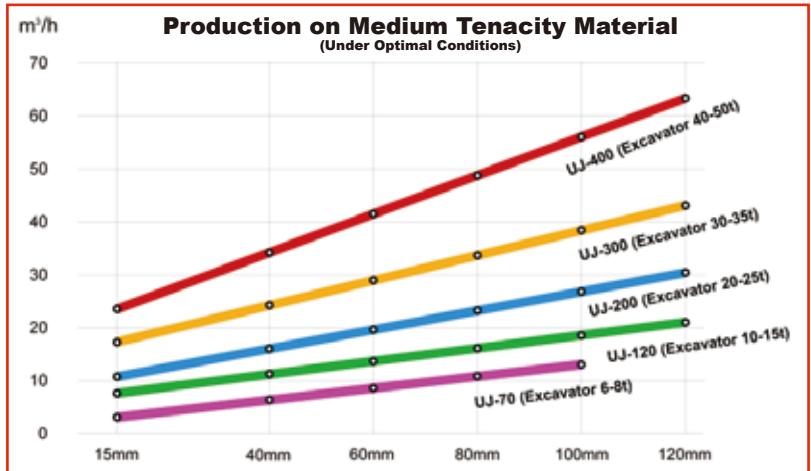


Discharge

15 ~ 120mm Adjustable



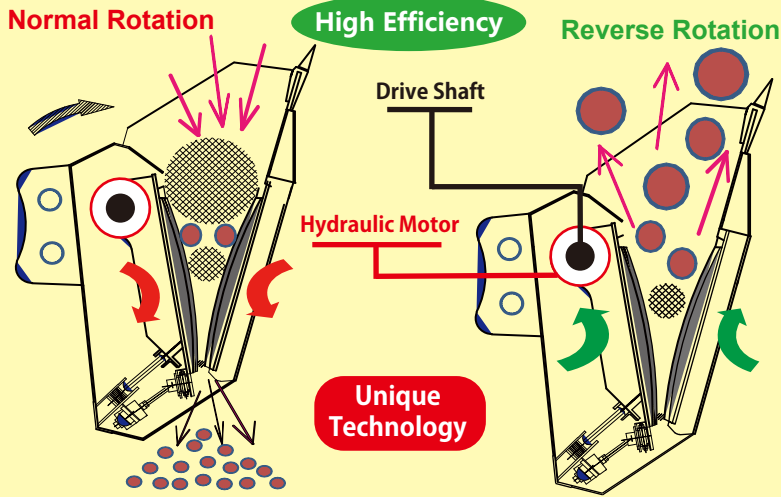
40mm Crusher-Run Stone



Model	15mm (m3/t)	40mm (m3/t)	60mm (m3/t)	80mm (m3/t)	100mm (m3/t)	120mm (m3/t)	150mm (m3/t)
UJ-70	3.34	6.67	8.46	11.6	13.23		
UJ-120	7.87	11.89	13.86	16.71	18.65	21.41	
UJ-200	11.12	16.52	19.92	23.12	16.19	30.38	
UJ-300	16.97	24.21	28.81	33.59	38.01	43.58	
UJ-400	23.82	34.68	42.23	48.27	56.19	63.81	74.12

Direct Drive Position

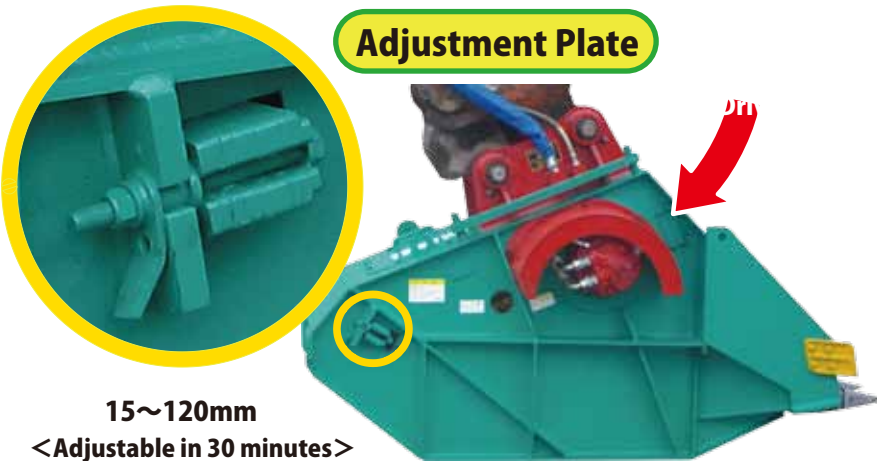
when stuck back to normal at once by using reverse rotation



Big Concrete can also be crushed!



Dust Suppression Device is Optional



Adjustment Plate

15~120mm

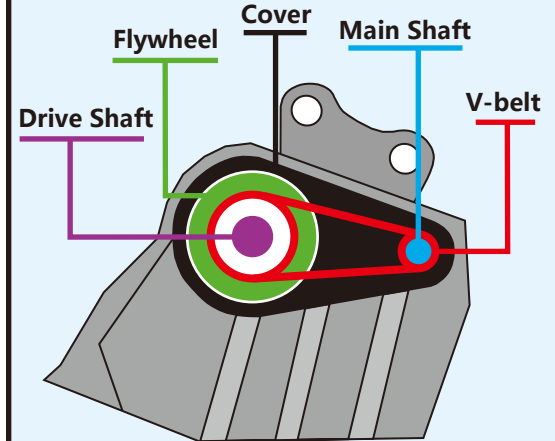
<Adjustable in 30 minutes>

Model	UJ-120	UJ-200	UJ-300	UJ-400
Excavator Weight (t)	10~15	18~25	25~35	35~50
Bucket Capacity (m ³)	0.35	0.65	0.75	1.15
Oil Pressure (Mpa)	24.5	24.5	24.5	24.5
Oil Flow (l/min)	90	150	230	260
Feeding Size (mm)	550x450	700x500	800x600	900x650
Adjustment Size (mm)	15~120	15~120	15~120	15~120
Dimensions (mm)	1820x1080x1200	2250x1380x1440	2350x1680x1700	2650x2010x1840
Overall Weight (kg)	1400	2500	3600	4600
24 Magnet (Option)	300x300	500x400	600x500	700x500

Other companies with V-belt drives

Low Work Efficiency
High Maintenance expenses

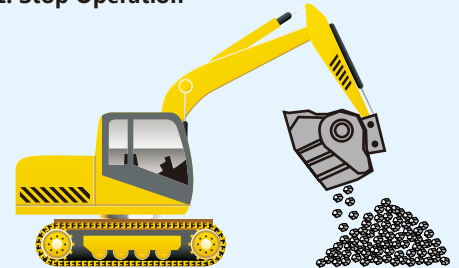
- ① Wear out of the V-belt (about 500 hours)
- ② Remove the huge cover and adjust tension of V-belt (about 100 hours each)



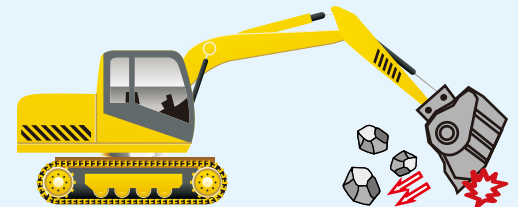
V-belt always slip and stop when overloaded

When stuck

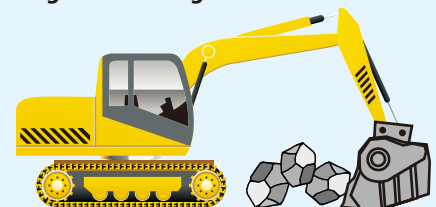
1. Stop Operation



2. Knock on the ground and force the crusher to spit stucked things out



3. Dig and crush again



Bucket Crusher – High Speed Model

Amazing Production by using Two Pump Confluence (Increased by 1.5 - 2 times)

More durable with New type of Jaw Plates (Straight and Curved one side each)

PRODUCTION INCREASED 1.5 TIMES
(COMPARE WITH OTHER COMPANIES)

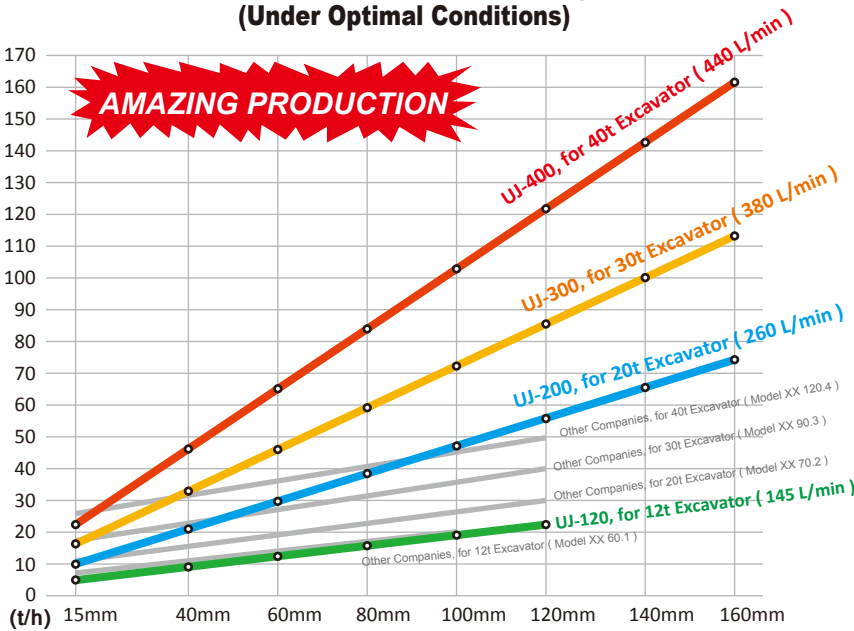
NEW RELEASE

MOTOR SPEED REACH 500 RPM

FEATURE

- By using **Double Pump Confluence**, excavator's utmost performance can be reached. (Motor speed over 430rpm)
- Bold design of **Direct Drive Motor**, almost no transmission power loss.
- Only our products can do normal and reverse rotation at once. With reverse rotation, clogged materials can be easily released.
- Easier maintenance with **Direct Drive Motor** design.
- 24V magnet is optional.
- Return line is necessary.

Production on Medium Tenacity Material (Under Optimal Conditions)



Model	15mm	40mm	60mm	80mm	100mm	120mm	140mm	160mm
UJ-120	7.87	11.89	13.86	16.71	18.65	21.93		
UJ-200	11.12	21.09	29.97	38.85	47.73	56.63	65.12	74.37
UJ-300	16.97	31.82	45.22	58.62	72.62	85.42	98.64	112.22
UJ-400	23.82	45.35	64.95	83.55	102.65	121.75	142.15	159.95



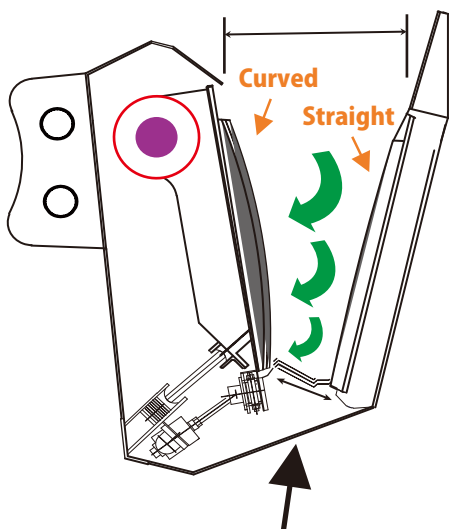
Model	HUJ-120	HUJ-200	HUJ-300	HUJ-400
Excavator Weight (t)	10~15	20~25	30~35	40~50
Bucket Capacity (m3)	0.35	0.65	0.75	1.15
Oil Pressure (Mpa)	24.5	24.5	24.5	24.5
Oil Flow (l/min)	145	260	380	440
Feeding Size (mm)	550x450	700x500	800x600	900x650
Adjustment Size (mm)	15~120	15~150	15~150	15~150
Dimensions (mm)	1820x1080x1200	2250x1380x1440	2350x1680x1700	2650x2010x1840
Overall Weight (kg)	1500	2600	3800	4800
24 Magnet (Option)	300x300	500x400	600x500	700x500

Bucket Crusher – High Speed Model



NEW Bucket Crusher – Large Opening Model

Feeding Size: 700 x 700mm



Output Size: 150 ~ 300mm

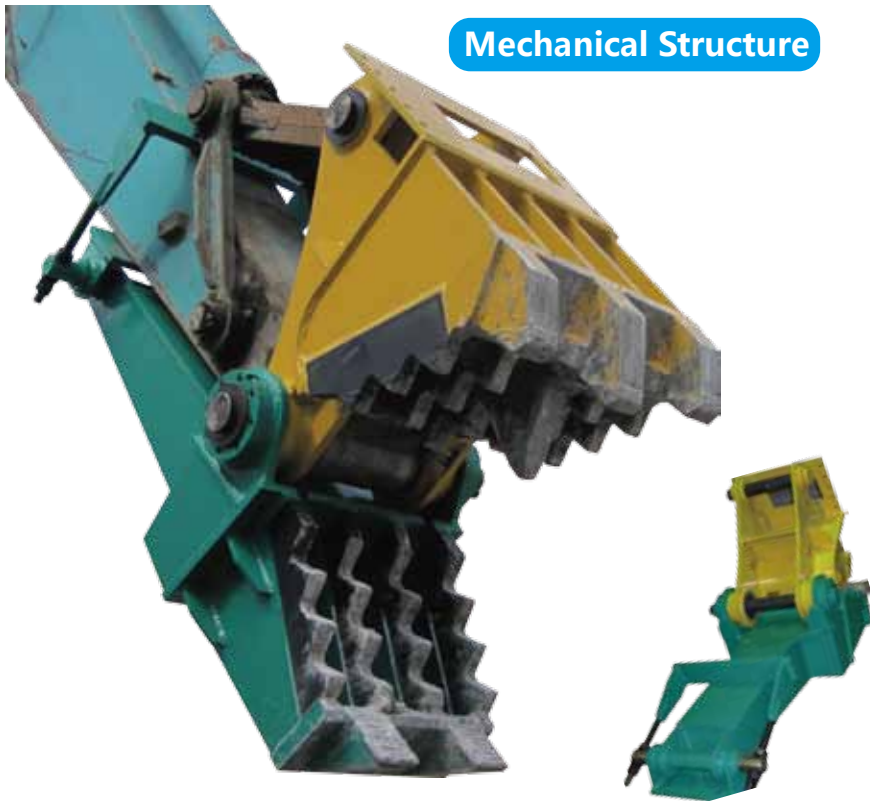
FEATURE

- Larger opening size (700x700mm) which can load larger concrete.
- Larger discharge size (150 to 300mm) makes more production, about 3 to 5 times than normal hydraulic pulverizer.
- Normal crush is possible if replace the toggle plate.
- Special design of the Jaw Plates, one is curved one is straight.

Model	KUJ-200	KUJ-300	KUJ-400
Excavator Weight (t)	20 ~ 25	30 ~ 35	40 ~ 50
Bucket Capacity (m ³)	0.7	0.8	1.25
Oil Pressure (Mpa)	24.5	24.5	24.5
Oil Flow (l/min)	150	230	260
Feeding Size (mm)	700 x 700	900 x 900	1100 x 900
Output Size (mm)	150 ~ 300	150 ~ 300	150 ~ 300
Overall Weight (kg)	3,000	4,300	5,500

Mechanical Concrete Crusher

Mechanical Structure



Magnet can be installed on the bottom

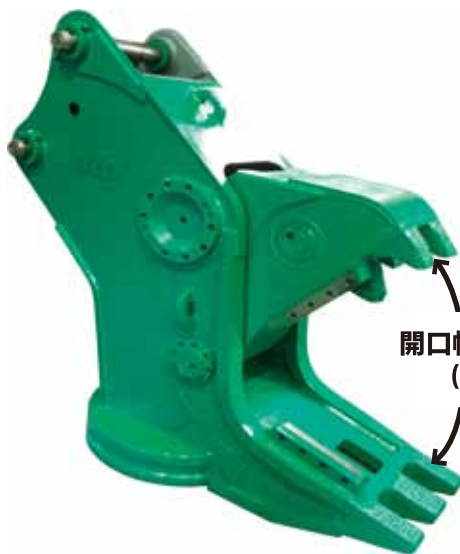


Advantages

- Mechanical Structure.
- Low vibration, low noise, easy maintenance.
- Easy installation by using u-bend.
- Concrete strength should be lower than 50N/mm²
- Good visibility from the carrier machine.
- Magnet is Optional.

Model		NGC-70	NGC-120	NGC-200
Excavator Weight	(t)	6~7	10~15	20~25
Max. Opening Size	(mm)	450	770	800
Front Crushing Power	(N/mm ²)	140	210	300
Center Crushing Power	(N/mm ²)	160	330	520
Overall Weight	(kg)	360	600	1100
Crushed Size	(mm)	100~200	100~200	100~200
24V Magnet	(Option)	400x300	500x400	500x400

Hydraulic Pulverizer 24V / 220V



開口幅: 81cm
(0.7)

Hydraulic Generator



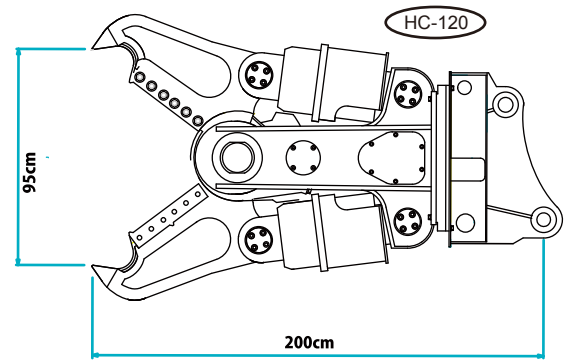
(HMG3.5kw)

Advantages

- Speed valve helps speed up the crushing process.
- 24V / 220V magnet is choseable.
- More durable body by using Hardox steel.
- Hydraulic generator can be combined in the body.

Model		MGC-70	MGC-120	MGC-200	MGC-300
Excavator Weight	(t)	6 ~ 7	10 ~ 15	20 ~ 25	30 ~ 35
Front Crushing Power	(ton)	45	69	82	120
Opening Size	(mm)	520	770	810	950
Oil Pressure	(Mpa)	28	34	34	34
Overall Weight	(kg)	780	1240	2050	3100
Magnet Diameter	(mm)	300	600	750	900

Demolition Cutter



Advantages

- Best for volume reduction of mixed waste.
- Larger opening width.

Model	HC-70	HC-120	HC-200	HC-300
Excavator Weight (t)	6 ~ 7	10 ~ 15	20 ~ 25	30 ~ 35
Blade Length (mm)	250	380	450	560
Central Crushing Power (ton)	100	152	200	280
Front Crushing Power (ton)	50	74	100	160
Opening Width (mm)	600	9500	1100	1300
Oil Pressure (Mpa)	28	28	28	32
Overall Weight (kg)	800	1400	2200	3150

Cutter Prince



Advantages

- Best for volume reduction of mixed waste.
- Larger opening width.
- Blades are all replaceable.
- Magnet is optional.

Model	CP-70	CP-120	CP-200
Excavator Weight (t)	6 ~ 7	10 ~ 15	20 ~ 25
Blades Length (mm)	450	600	750
Opening Size (mm)	520	770	810
Oil Pressure (Mpa)	28	28	28
Overall Weight (kg)	600	1000	1600

Waste Cutter

Blades replaceable



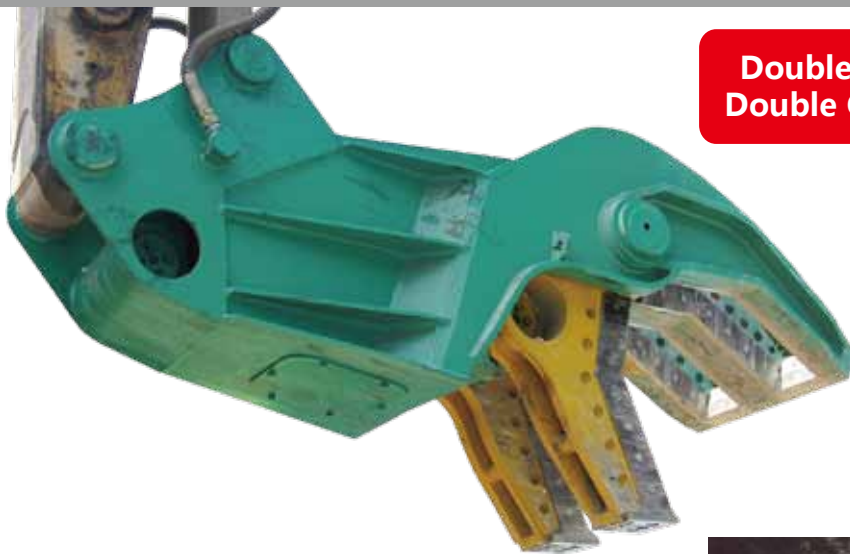
Advantages

- Longer Blades with better cutting capacity.
- All blades are replaceable and made of HARDOX.
- Fishing net, waterproof vinyl, car tyre, waste plastic, waste woods can be cut off.
- Mechanical structure, no need of hydraulic connection.

Model	WGK-70	WGK-120	WGK-200
Excavator Weight (t)	6~7	10~15	20~25
Cutter Length (mm)	450	600	750
Max. Opening Size (mm)	450	650	800
Overall Weight (kg)	300	500	700

Hydraulic Waste Double Cutter

Blades replaceable



Double Blades
Double Capacity



Advantages

- Best for volume reduction of mixed waste.
- All blades are replaceable and made of HARDOX.
- Fishing net, waterproof vinyl, car tyre, waste plastic, waste woods can be cut off.
- Piano wire, hardened steel, truck tyre, H-beam, wirerope, concrete and stone need to be avoided.
- Speed valve is equipped as standard.



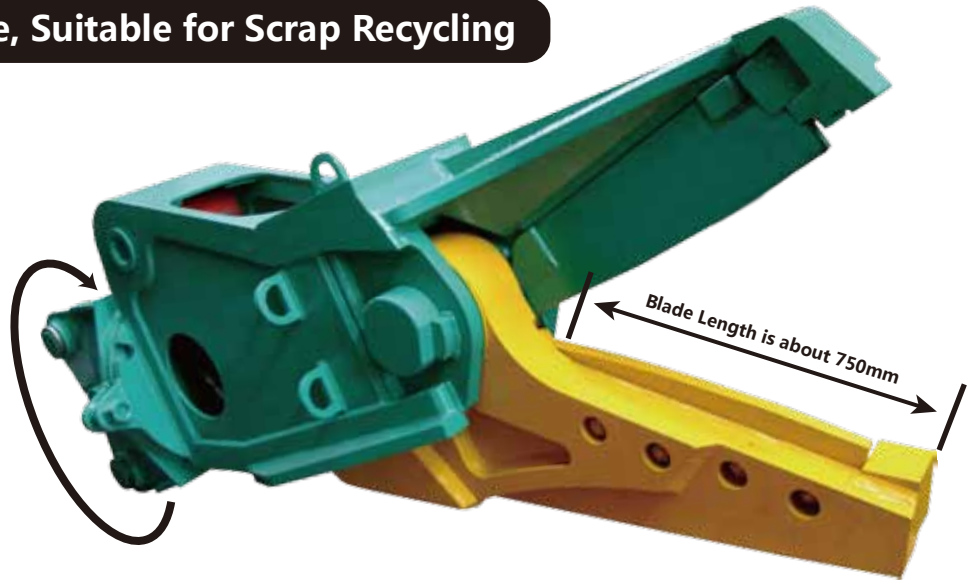
Model	CF-70	CF-120	CF-200	CF-300
Excavator Weight (t)	6~7	10~15	20~25	30~35
Cutter Length (mm)	400	500	620	750
Max. Opening Size (mm)	450	650	850	950
Oil Pressure (Mpa)	28	32	32	32
Overall Length (mm)	1200	2000	3280	3700
Overall Weight (kg)	750	1200	2150	2680
Speed Valve	Option	Equipped	Equipped	Equipped

Rublade Cutter

Working at nuclear power station in Fukushima

Movable Blade Structure, Suitable for Scrap Recycling

H-Beam Steel: 500×200



Able to cut truck tyre
(remove the tyre wire before hand)



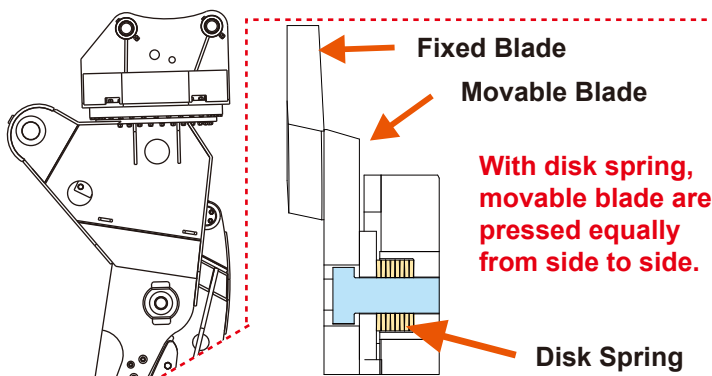
Able to cut plastic sheets



Able to cut ship deck

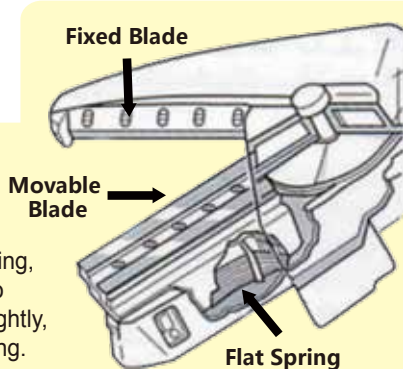


New Disk Spring Type Blade



Previous Model (Flat Spring Structure)

With the internal flat spring, movable blade is able to contact with fixed one tightly, always keep sharp cutting.



Advantages

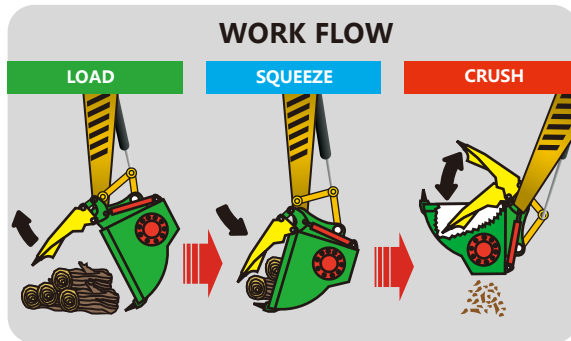
- Disk Spring Structurer of Blades
- Body and blade are all build with HARDOX.
- Piano wire, 300mm H-beam, rock, concrete, wire rope, quenched steel, etc. are not able to be cut off, which may damage the blade.
- Fixed and free rotation type are available

Model	UZ-70	UZ-120	UZ-200	UZ-300	UZ-400
Excavator Weight (t)	6~7	10~15	20~25	30~35	40~60
Max. Opening Size (mm)	400	450	600	720	830
Overall Length (mm)	1800	2250	2500	3000	3600
Cutter Length (mm)	400	600	750	820	910
Cutting Power (t)	60	90	120	150	200
Overall Weight (kg)	650	1200	2200	3100	4500

Speed valve is optional

Bucket Shredder

Volume reduction before waste treatment. Size from 50,100,150mm



Application Example

Woven Sacks



Plastic Sheeting



Waste Plastic



Tatami



Car Tyre



Waste Wood



Mixed Waste



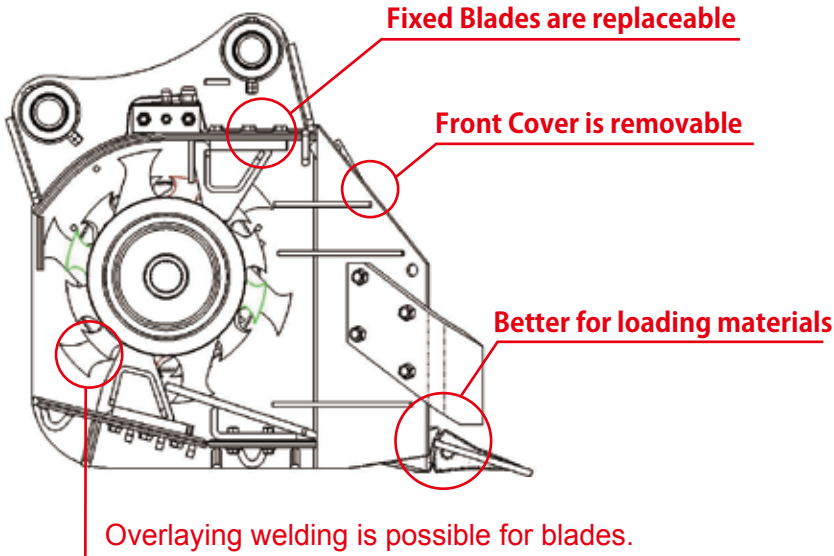
Advantages

- This product is mainly used for crushing waste and reducing the volume before further treatment
- Plastic sheets, Woven sacks, Waste plastic, Tatami, Car tyre, Waste wood, etc. all can be crushed.
- Thumb cover can push and squeeze materials to the rotor, which will raise the work efficiency.
- With the tooth on the cover, this product can be used as a gripper.
- Thumb cover can prevent splash and keep scraps inside the bucket.
- Based on the requirement, Blades are choosable from 50mm, 100mm and 150mm.
- Drain line is necessary.



Model	NSB-120	NSB-200	NSB-300
Excavator Weight (t)	10~15	20~25	30~35
Rotor Diameter (mm)	400	400	500
Rotor Length (mm)	800	1200	1400
Rotor Speed (rpm)	30~120	30~120	30~120
Max. Opening Width (mm)	1050	1450	1700
Overall Height (mm)	1500	1900	2300
Overall Weight (kg)	1250	2200	3000

Bucket Smasher



Advantages

- This product is mainly use for crushing concrete waste.
 - Blades are made of HARDOX
 - Direct drive motor makes normal and reverse rotation possible.
 - Overlaying welding is possible for blades.
 - Waste concrete, waste plastic, wood pallet, tatami, tile can be crushed.
- Drain line is necessary.



Model		UF-70	UF-120	UF-200	UF-300
Excavator Weight	(t)	6 ~ 7	10 ~ 15	20 ~ 25	30 ~ 40
Bucket Capacity	(m3)	0.2	0.38	0.55	0.85
Rotor Speed	(rpm)	100	100	100	100
Oil Pressure	(Mpa)	28	32	32	32
Oil Flow	(l/min)	100	180	300	350
Opening Size	(mm)	700 x 400	900 x 500	1300 x 650	1500 x 700
Discharge size	(mm)	150	150	150	150
Overall Dimensions	(mm)	900 x 900 x 900	1100 x 950 x 1000	1440 x 1130 x 1250	1600 x 1600 x 1600
Overall Weight	(kg)	700	1200	2010	3000
Production Efficiency	(t/h)	1 ~ 3	2 ~ 5	4 ~ 7	6 ~ 10

Calm Screener

Advantages

Land Stably and work silently

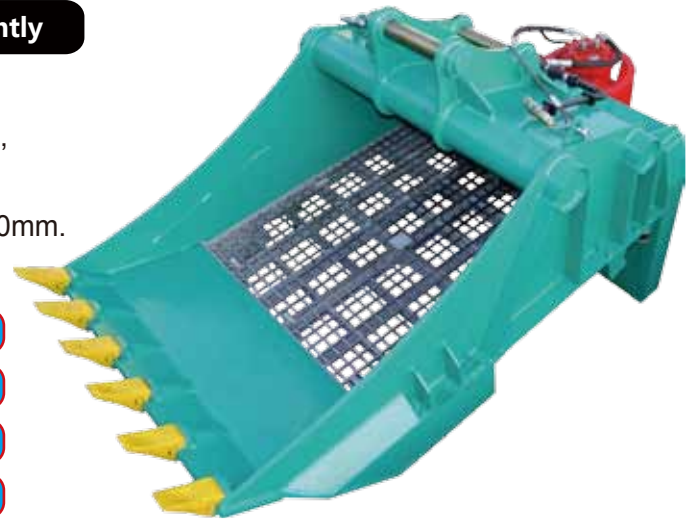
- Ideal for on-site recycling.
- Suitable for screening construction and demolition waste, wood waste, mixed waste, etc. by size.
- Screening mesh can be made to order from 10mm to 150mm.
- Screening panel can be replaced easily by using u-bolts
- With the mounting plate at the back, the machine can land on the ground stably and decrease working noise.
- Drain line is necessary.

Industrial Waste

Wood Waste

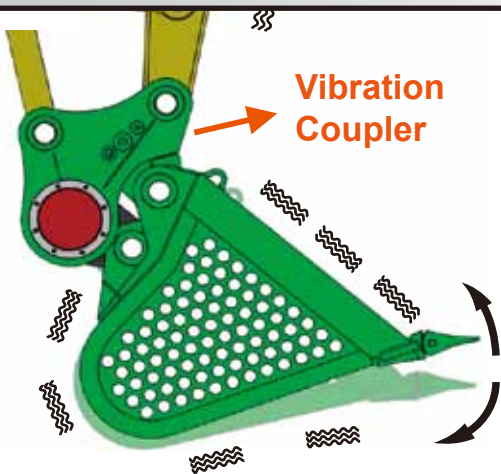
Construction Waste

Stones and Sand



Model		CS-120	CS-200	CS-300	CS-400
Excavator Weight	(t)	10~15	20~25	30~40	40~60
Screen Mesh	(mm)	1100x1100	1400x1400	1700x1700	2000x2000
Vibration Range	(mm)	220	220	220	220
Bucket Capacity	(m3)	0.5	0.8	1.6	2.4
Motor Speed	(rpm)	120	100	100	100
Mesh Size	(mm)	10~150	10~150	10~150	10~150
Overall Weight	(kg)	1250	1850	2800	3600

Calm Skeleton Bucket

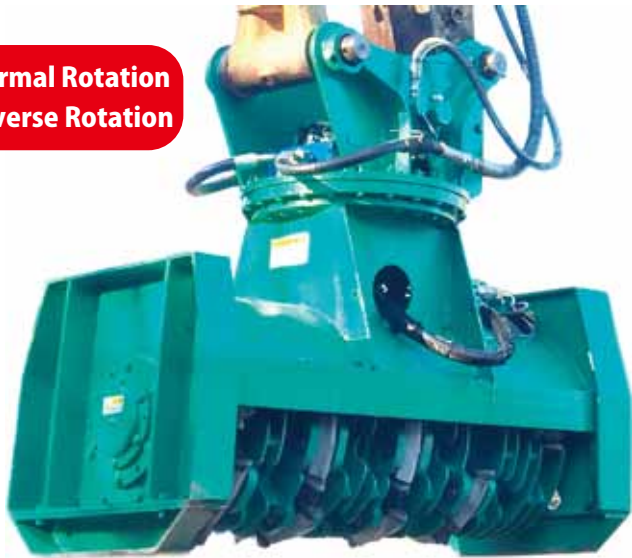


- Noise Level 80 dB
- Can be mounted to standard skeleton bucket
- Light work with hydraulic and free your hands.

Model		KS-70	KS-120	KS-200
Excavator Weight	(t)	5~9	10~16	18~26
Bucket Width	(mm)	800	1050	1250
Oil Pressure	(Mpa)	28	28	28
Oil Flow	(l/min)	40	60	80
Coupler Weight	(kg)	300	420	600
Overall Weight	(kg)	500	800	1300

Super Brush Chopper

Normal Rotation
Reverse Rotation



Cut from top or trunk of the tree



Select different blades for different operating conditions

A Type Blade
(Die Steel)

Suitable for
Standing Tree
Fallen Tree

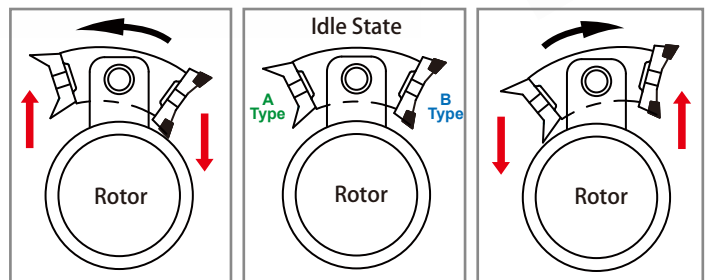


B Type Blade
(Tungsten Carbide)

Suitable for
Standing Tree
Stump



exchangeable



Model	SBC-70	SBC-120	SBC-200
Excavator Weight (t)	6~7	10~15	20~25
Rotor Width (mm)	600	500	620
Rotating Speed (rpm)	1400	650	850
Numbers of Blades	28	36	48
Cutting Diameter (mm)	250	300	400
Oil Pressure (Mpa)	24.5	24.5	24.5
Oil Flow (l/min)	90	150	220
Overall Weight (kg)	650	1000	1700

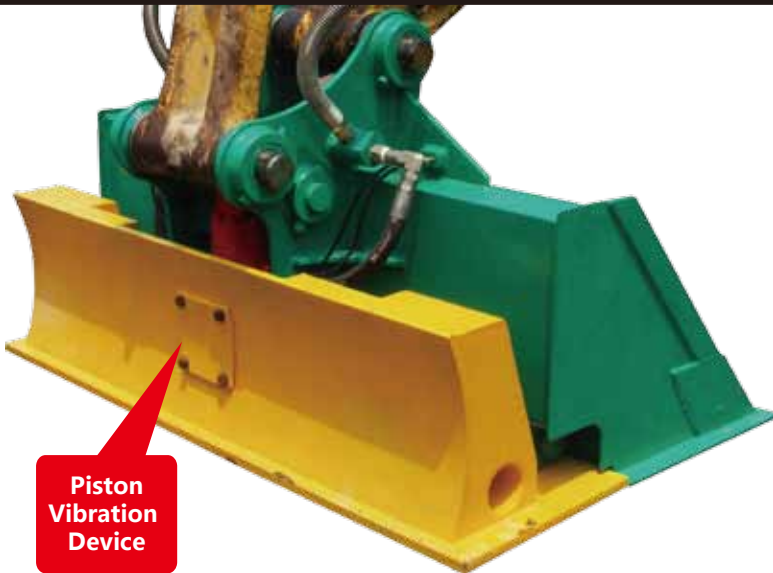


Φ400mm Tree



- 360 degree rotation can always keep best cutting angle in different places
- Two ways of rotation for different operating conditions.
- Easy maintenance because of bolt-on blades
- More durable with **Tungsten Carbide Blades**
- **Die Steel Blades** for better cutting performance
- Drain line is necessary

Vibro Slope Bucket



Advantages

- Wide bucket with vibration function.
- Suitable for large area construction, such as levees construction, slope surface protection works, river construction, etc.
- Piston vibration device with strong compaction, will not damage the excavator.
- Drain line is not necessary.



Slope Compaction

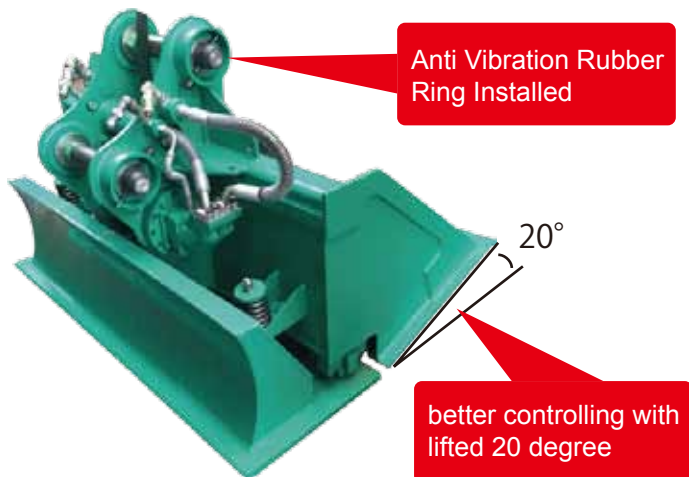


River Construction Site



Model	TNB-70	TNB-120	TNB-200
Excavator Weight (t)	6 ~ 9	10 ~ 16	18 ~ 26
Bucket Capacity (m3)	0.2	0.4	0.6
Bucket Width (mm)	900	1500	2000
Vibration Plate Width (mm)	900	1400	1900
Vibration Frequency (vpm)	1800	1800	1800
Vibration Power (t)	12.1	19.8	27.5
Vibration Amplitude (mm)	2 ~ 10	2 ~ 10	2 ~ 10
Oil Pressure (MPa)	28	28	28
Overall Weight (kg)	520	1050	1450

Vibro Bucket King - Slope



- Eccentric Vibration
- Low Noise Level and Low Vibration to the Cab
- 20 degree lifted of front plate for better controlling

Model	TTN-70	TTN-120	TTN-200
Excavator Weight (t)	6 ~ 9	10 ~ 16	18 ~ 26
Bucket Capacity (m3)	0.2	0.4	0.6
Bucket Width (mm)	900	1500	2000
Vibrations Frequency (vpm)	1200	1200	1200
Compaction Power (ton)	12	20	28
Vibration Stroke (mm)	3	3	3
Oil Flow (l/min)	45 ~ 60	60 ~ 90	90 ~ 120
Oil Pressure (kg)	28	32	32
Overall Weight (kg)	450	1100	1300

Vibro Bucket



Vibration Device



Advantages

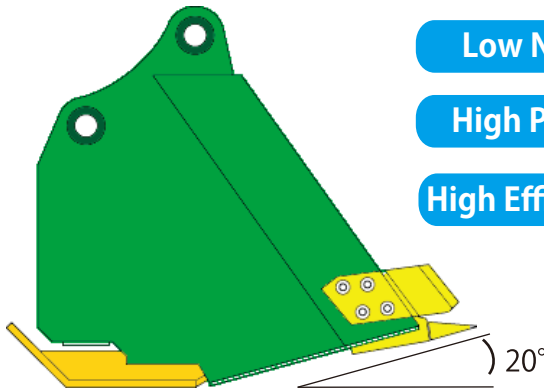
- Dig and compact with one bucket
- Suitable for building sewer pipes
Piston vibration device with strong compaction, will not damage the excavator.
- Same effect as 80kg hand compactor
- Drain line is not necessary.

Suitable for building sewer pipes



Model		TB-40	TB-50	TB-70	TB-120	TB-200
Excavator Weight	(t)	4~5	6~7	7~9	10~16	18~26
Bucket Capacity	(m ³)	0.12	0.18	0.23	0.38	0.65
Bucket Width	(mm)	400	500	600	800	1000
Vibration Plate Width	(mm)	400	500	600	750	980
Vibration Frequency	(vpm)	1800	1800	1800	1800	1800
Vibration Power	(t)	4.4	8	12.4	19.8	27.5
Vibration Amplitude	(mm)	6	6	6	6	6
Oil Pressure	(MPa)	21	25	28	32	32
Overall Weight	(kg)	340	400	450	900	1300

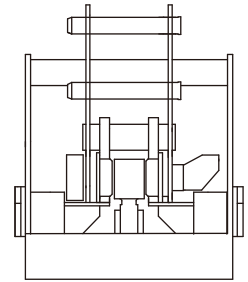
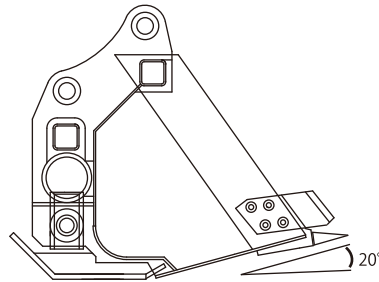
Vibro Bucket King



Low Noise

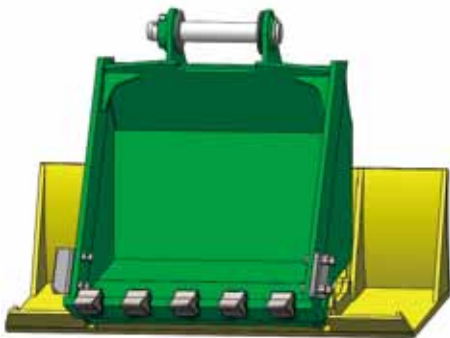
High Power

High Efficiency



Advantages

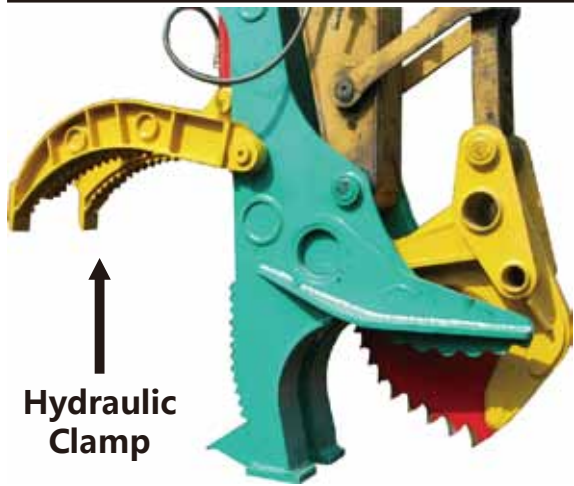
- Eccentric Vibration
- Low Noise Level and Low Vibration to the Cab
- 20 degree lifted of front plate for better controlling



Wider Vibration Plate can be easily Attached at the bottom

Model		TT-40	TT-50	TT-70	TT-120	TT-200
Excavator Weight	(t)	4~5	6~7	7~9	10~16	18~26
Bucket Capacity	(m ³)	0.12	0.18	0.23	0.38	0.65
Bucket Width	(mm)	400	500	600	800	1000
Vibration Plate Width	(mm)	400	500	600	750	980
Vibration Frequency	(vpm)	1800	1800	1800	1800	1800
Vibration Power	(t)	4.4	8	12.4	19.8	27.5
Vibration Amplitude	(mm)	6	6	6	6	6
Oil Pressure	(MPa)	21	25	28	28	28
Overall Weight	(kg)	280	350	450	900	1300

Clamp Alligator



Advantages

- Mechanical structure, easy maintenance
- Movable saw blade is using the power of arm cylinder.
- Sharp cutting power with our own special saw design
- Drain line is not necessary.



Model		FWV-70	FWV-120	FWV-200
Excavator Weight	(t)	6~7	12~13	20~25
Cutter Blade		Saw Blade	Saw Blade	Saw Blade
Max. Opening Size	(mm)	410	820	1000
Max. Cutting Diameter	(mm)	300	500	600
Dimensions	(mm)	1500x390x980	2170x480x1450	2500x620x1650
Overall Weight	(kg)	900	1220	1950

FWV: Clamp Alligator with Clamp / WV: Alligator without Clamp

U-bend for Installation



Eco Alligator



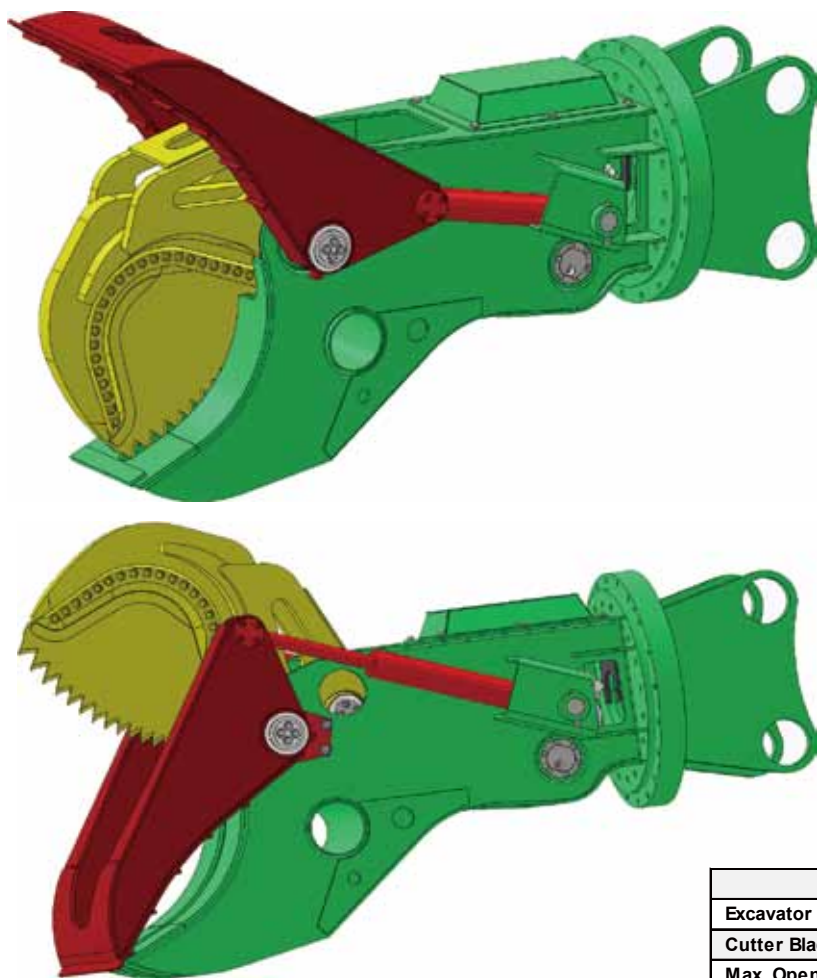
Advantages

- Cutting and Grapping only with one cylinder
- Drain line is necessary.



Model		GW-70V	GW-120V	GW-200V
Excavator Weight	(t)	6~7	10~15	20~25
Cutter Blade		Saw Blade	Saw Blade	Saw Blade
Max. Opening Size	(mm)	500	750	900
Max. Cutting Diameter	(mm)	300	400	500
Oil Pressure	(MPa)	28	32	32
Dimensions	(mm)	1850x540x840	2260x680x1190	2850x720x1500
Overall Weight	(kg)	800	1250	1950

Green Alligator

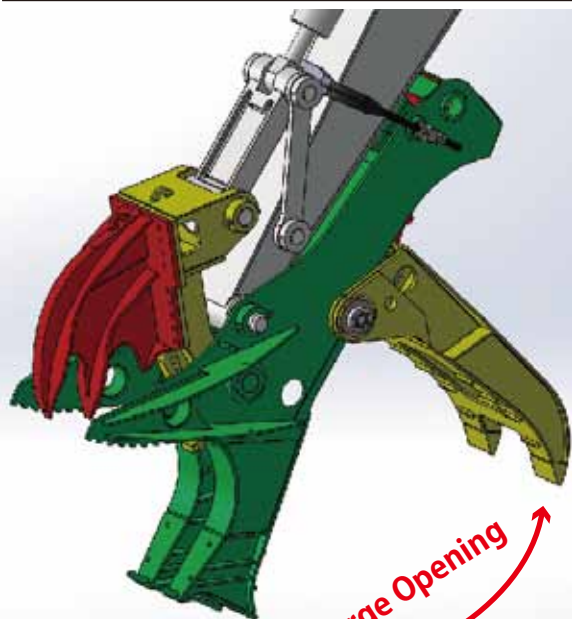


Advantages

- Best for building Mega solar plant.
- More safer when cutting trees.

Model		GW-70V	GW-120V	GW-200V
Excavator Weight	(t)	6~7	10~15	20~25
Cutter Blade		Saw Blade	Saw Blade	Saw Blade
Max. Opening Size	(mm)	500	750	900
Max. Cutting Diameter	(mm)	300	400	500
Oil Pressure	(MPa)	28	32	32
Dimensions	(mm)	1850x540x840	2260x680x1190	2850x720x1500
Overall Weight	(kg)	800	1250	1950

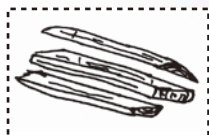
Clamp Splitter



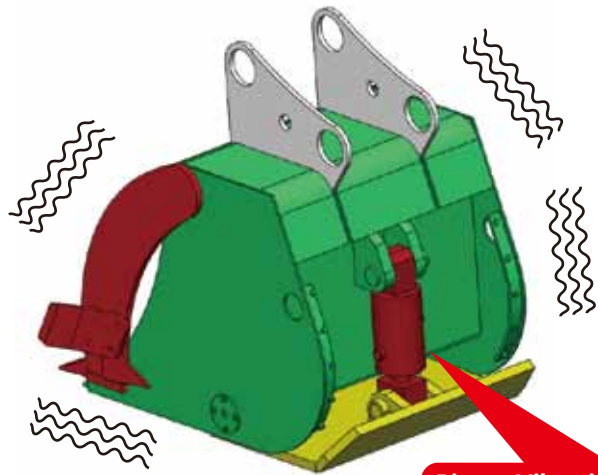
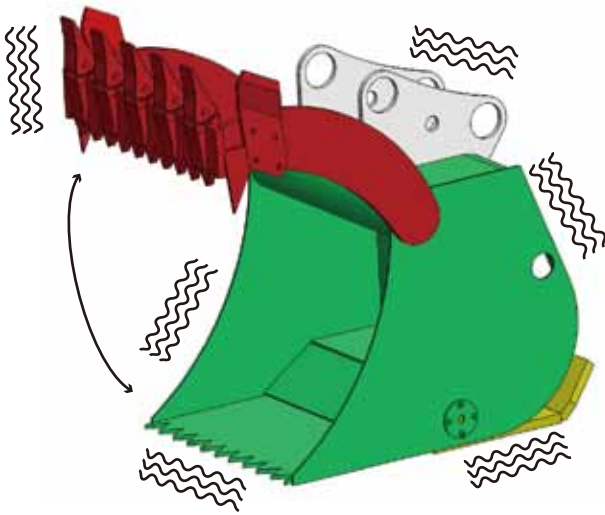
Advantages

- Split the tree by using bucket cylinder power.
- Mechanical structure, more durable.

Model		FWR-70	FWR-120	FWR-200
Excavator Weight	(t)	6~7	10~15	20~25
Cutter Blade		Split Blade	Split Blade	Split Blade
Clamp Opening Size	(mm)	900	1200	1500
Max. Cutting Diameter	(mm)	300	450	600
Dimensions	(mm)	1500x390x980	2170x480x1450	2500x620x1650
Overall Weight	(kg)	950	1200	1950



EM Bucket



Piston Vibration Device

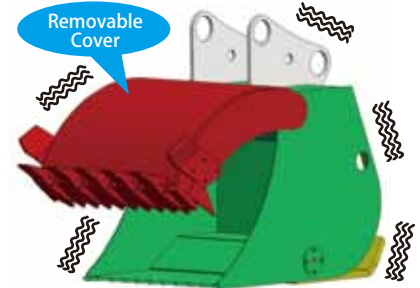
Start from Japan, extended to the whole world

Advantages

- 1 unit 3 functions.
- Internal cylinder.
- Bucket front cover is optional.
- With the vibration, this bucket can easily crush the road base.

pipeline construction, forest-road construction, excavation, clamp, pull out, ramming. Demolition, Forestry, Recycling related works

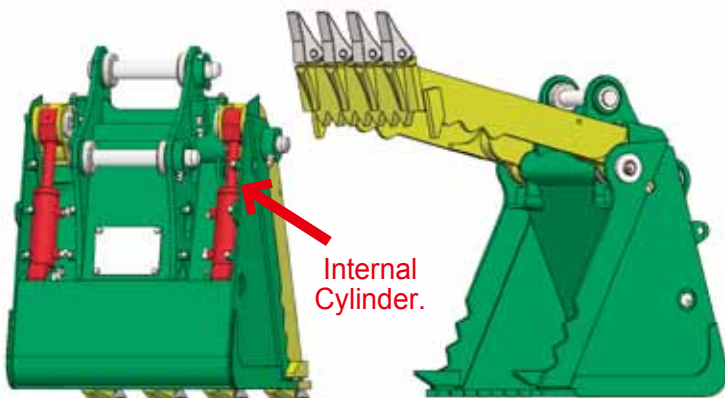
Clamshell bucket Type



Removable Cover

Model	EMB-30	EMB-40	EMB-70	EMB-120	EMB-200	EMB-300
Excavator Weight (t)	3 ~ 4	4 ~ 6	6 ~ 9	10 ~ 16	20 ~ 25	30 ~ 40
Bucket Capacity (m3)	0.12	0.12	0.23	0.38	0.65	0.9
Bucket Width (mm)	400	550	750	900	1100	1300
Opening size (mm)	350	550	650	800	900	1050
Vibration Plate Width (mm)	400	550	750	900	1100	1300
Vibration Frequency (vpm)	1800	1800	1800	1800	1800	1800
Vibration Power (t)	2.9	6.9	12	20	28	40
Vibration Amplitude (mm)	6	6	6	6	6	6
Oil Pressure (MPa)	21	21	28	28	28	28
Overall Weight (kg)	240	350	420	860	1210	2000

Grapple Bucket



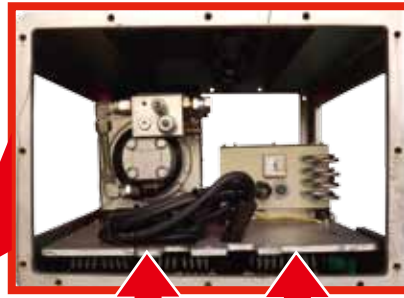
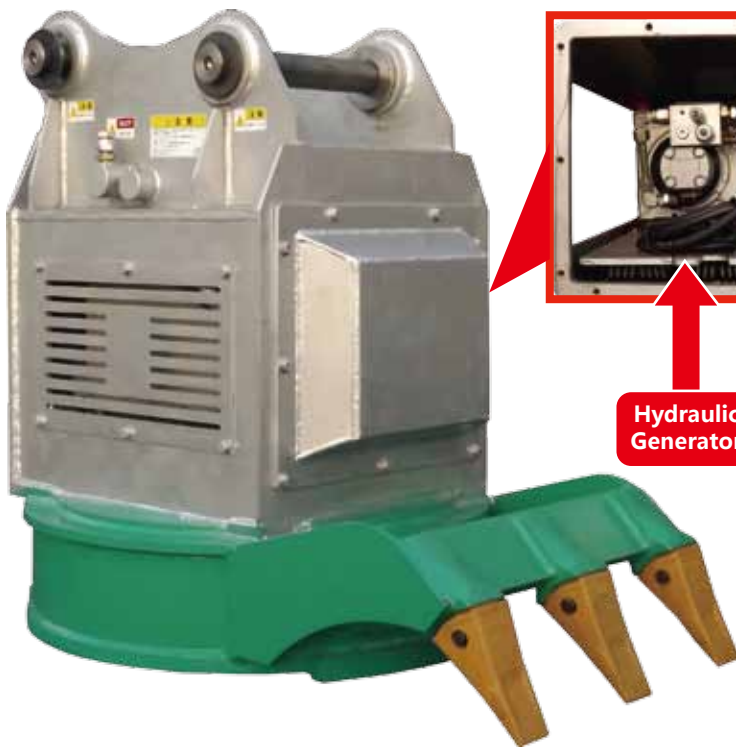
Internal Cylinder.

Advantages

- Internal cylinder.
- Bucket front cover is optional.

Model	GB-70	GB-120	GB-200
Excavator Weight (t)	6 ~ 9	10 ~ 16	20 ~ 25
Bucket Capacity (m3)	0.28	0.45	0.7
Opening size (mm)	650	800	900
Oil Pressure (MPa)	24	30	30
Overall Weight (kg)	350	690	1070

Combi Magnet



Hydraulic Generator

Control Panel



Built-in Hydraulic Generator



Model	KM-70	KM120	KM-200	KM-300
Excavator Weight (t)	6~7	10~15	20~25	30~35
Magnet Diameter (mm)	750	900	1100	1300
Power Output (kW)	3.5	6	10	15
Oil Flow (l/min)	18	32	46	67
Oil Pressure (Mpa)	21	21	21	21
Back Pressure (kg/cm ²)	Below 5	Below 5	Below 5	Below 5
Overall Height (mm)	935	1250	1250	1410
Overall Weight (kg)	550	1050	1600	2800

Advantages

- Built-in hydraulic generator, powerful magnetic.
- Easy control directly by excavator's hydraulic system.
- With our own control panel, lifting and releasing of the materials are much faster.
- Shockproof design, longer product life.
- Drain line is not necessary.

Steel Plate Magnet



Hydraulic Motor

Safety Clamp

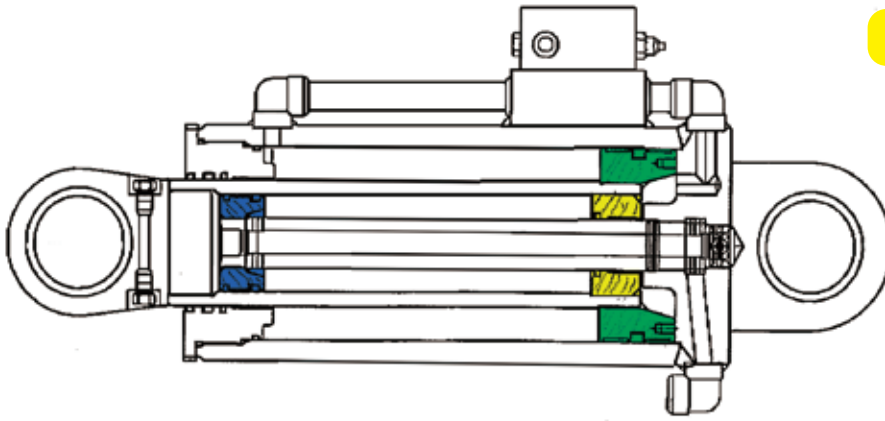
24V Magnet

Minimum Clamp Range is about 1.6m



Model	KMG-200	
Excavator Weight (m3)	12 ~ 25	
Magnet Dimensions (mm)	1200(L) x 400(W) x 150(H)	
Voltage (V)	24	
Electric Current (A)	48	
Max. Lifting Size (mm)	1550(L) x 6000(W) x 22(H)	
Max. clamp width (mm)	1150~1750	
Rotation Angle (°)	360	
Oil Pressure (MPa)	20.6	
Overall Dimensions (mm)	1220(L) x 760(W) x 1060(H)	
Overall Weight (kg)	950	

UEDA Hi-Speed Cylinder



3 times than normal cylinder

Normal cylinder can only be speeded up when extending,
But with UEDA Hi-Speed Cylinder, retracting speed can also be increased.

- 3 Pistons make speed 3 times faster
- Triple Working efficiency

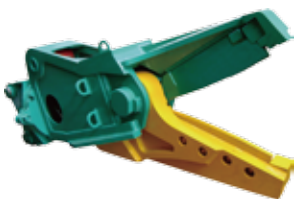
Cylinder Type	Action	Speed	1 Cycle Time	Real Working Time
Normal Cylinder	Extend	4.8 Sec.	7.7 Sec.	 3 Working Days 😞
	Retract	2.9 Sec.		
Normal Cylinder With Speed Valve	Extend	2.1 Sec.	5 Sec.	 2 Working Days. Speed Increased 35% 😐
	Retract	2.9 Sec.		
UEDA Hi-Speed Cylinder	Extend	1.8 Sec.	2.7 Sec.	 1 Working Day. Speed Increased 65%. 😊
	Retract	0.9 Sec.		

* Above is on the condition when oil flow is 200l/min

Application Case: Installed on Attachments

UEDA Product

- Internal Diameter 200mm, Stroke 450mm, Cylinder Rod 80, Oil Flow 200l/min



Can be installed on Demolition Cutter, Hydraulic Pulverizer, etc.

Application Case: Replace the Excavator Cylinder

Excavator, Bulldozer, Cylinder Replacement

- Over 40ton excavator Bucket cylinder can be 3 times faster than original one.



UEDA INDUSTRIES CO., LTD

4-3-3, Sawaragi-nishi, Ibaraki, Osaka, Japan 567-0868

TEL +81-72-6385566

FAX +81-72-6385536

info@uedaturb.co.jp / nick_niu@uedaturb.co.jp

www.uedaturb.co.jp

