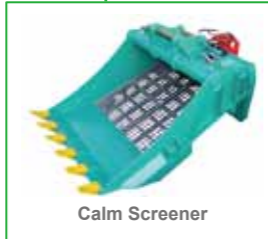
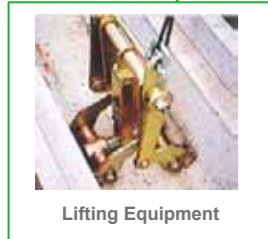
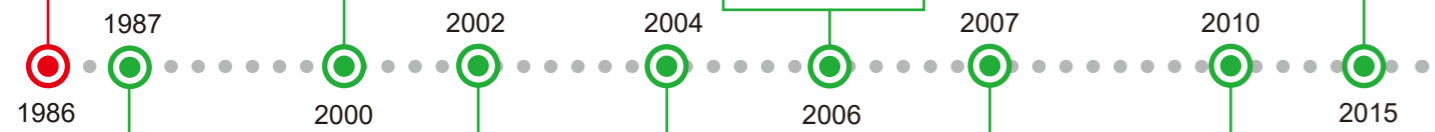


# Our History



BAUMA 2019(Munchen,Germany)



EXCON 2019(Bengaluru,India)



CONEXPO CON/AGG 2014(the U.S. Las Vegas)



BAUMA CHINA 2018(Shanghai)



www.ueda-industries.com

Bucket Crusher



**UEDA INDUSTRIES CO., LTD**  
**36th Anniversary**



Bucket Smasher



Steel Plate Mag-clamp



**UEDA INDUSTRIES CO., LTD**

4-3-3, Sawaragi-nishi, Ibaraki, Osaka, Japan 567-0868

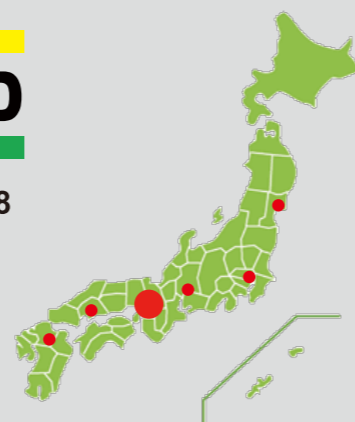
TEL +81-72-6385566

FAX +81-72-6385536

info@uedaturb.co.jp / sales@uedaturb.co.jp



www.ueda-industries.com





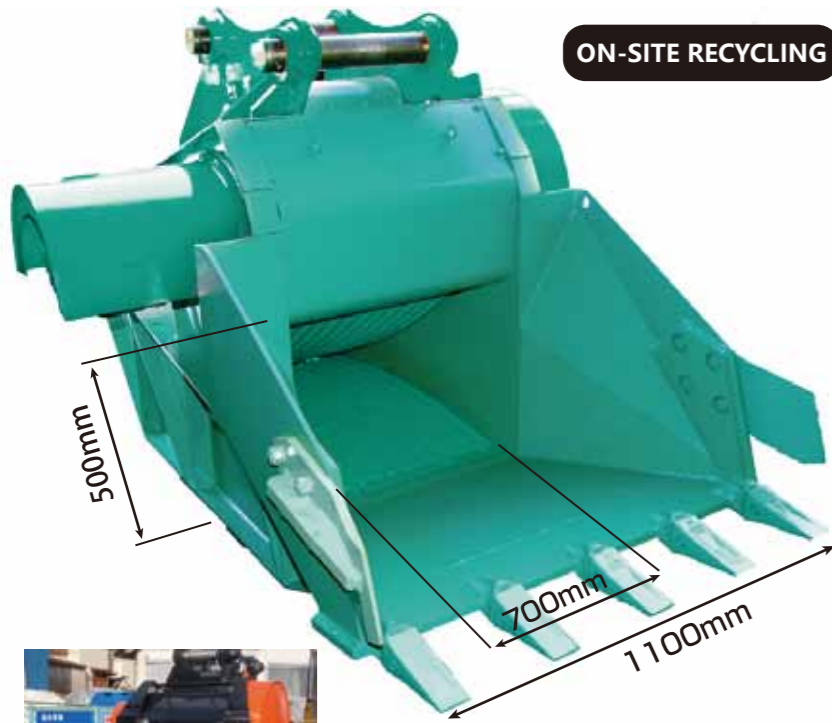
# Bucket Crusher

Drain line is necessary.

Video here →



ON-SITE RECYCLING



Color optional



Magnet is Optional



Discharge  
15 ~ 120mm Adjustable



40mm Crusher-Run Stone

## BUCKET CRUSHER

### Direct drive motor

*This is first direct drive motor Crusher. Compared with other European manufacturer's belt drive system Direct drive system's maintenance is much easier.*

### Rotation reversible

*By reversing the rotation, clogged materials can be easily released. Rock's compression strength below 1500kg is crushable.*



### Jaw plates changeable

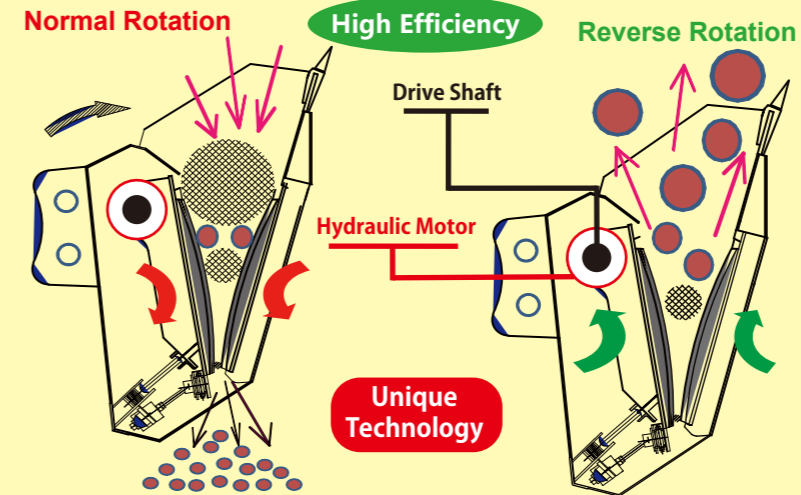
*The upper and lower jaw plates can be exchanged with each other, and the rear and front sections can also be exchanged*

Patented Countries



### Direct Drive Position

when stuck back to normal at once by using reverse rotation

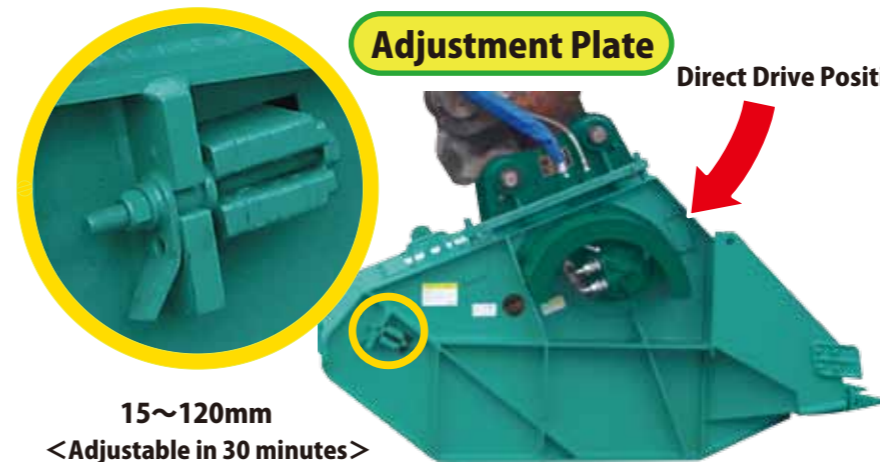


Big Concrete can also be crushed!



### Adjustment Plate

Direct Drive Position



15~120mm

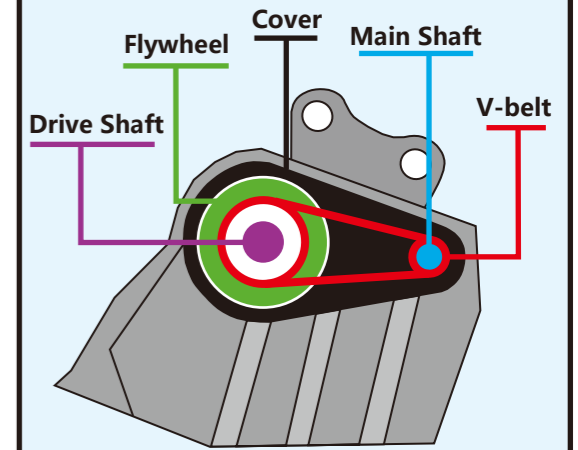
<Adjustable in 30 minutes>

| Model                | UJ-120         | UJ-200         | UJ-300         | UJ-400         |
|----------------------|----------------|----------------|----------------|----------------|
| Excavator Weigh (t)  | 10~15          | 20~25          | 30~40          | 40~45          |
| Bucket Capacity (m3) | 0.35           | 0.6            | 0.9            | 1.1            |
| Oil Pressure (Mpa)   | 24.5           | 24.5           | 24.5           | 24.5           |
| Oil Flow (l/min)     | 90             | 150            | 230            | 260            |
| Feeding Size (mm)    | 550x450        | 700x500        | 900x500        | 900x650        |
| Adjustment Size (mm) | 15~120         | 15~150         | 15~150         | 15~150         |
| Dimensions (mm)      | 1820x1080x1200 | 2246x1380x1440 | 2400x1660x1500 | 2815x1660x1700 |
| Overall Weight (kg)  | 1500           | 2600           | 3500           | 4200           |
| 24 Magnet (Option)   | 300x400        | 500x400        | 600x500        | 700x500        |

### Other companies with V-belt drives

Low Work Efficiency  
High Maintenance expenses

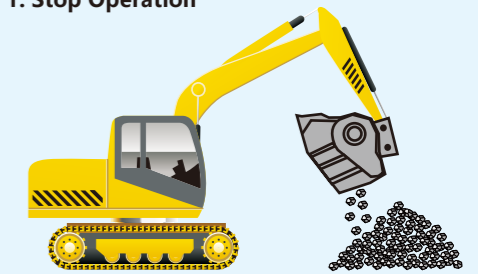
- ① Wear out of the V-belt (about 500 hours)
- ② Remove the huge cover and adjust tension of V-belt (about 100 hours each)



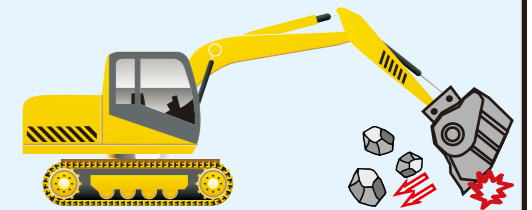
V-belt always slip and stop when overloaded

### When stuck

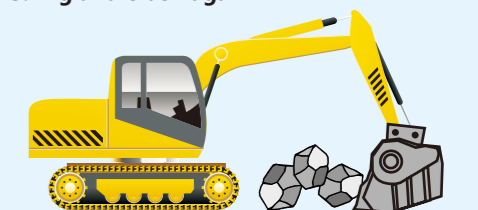
1. Stop Operation



2. Knock on the ground and force the crusher to spit stucked things out



3. Dig and crush again





# Super Bucket Crusher

Amazing Production by using Two Pump Confluence (Increased by 1.5 - 2 times)

More durable with New type of Jaw Plates (Straight and Curved one side each)

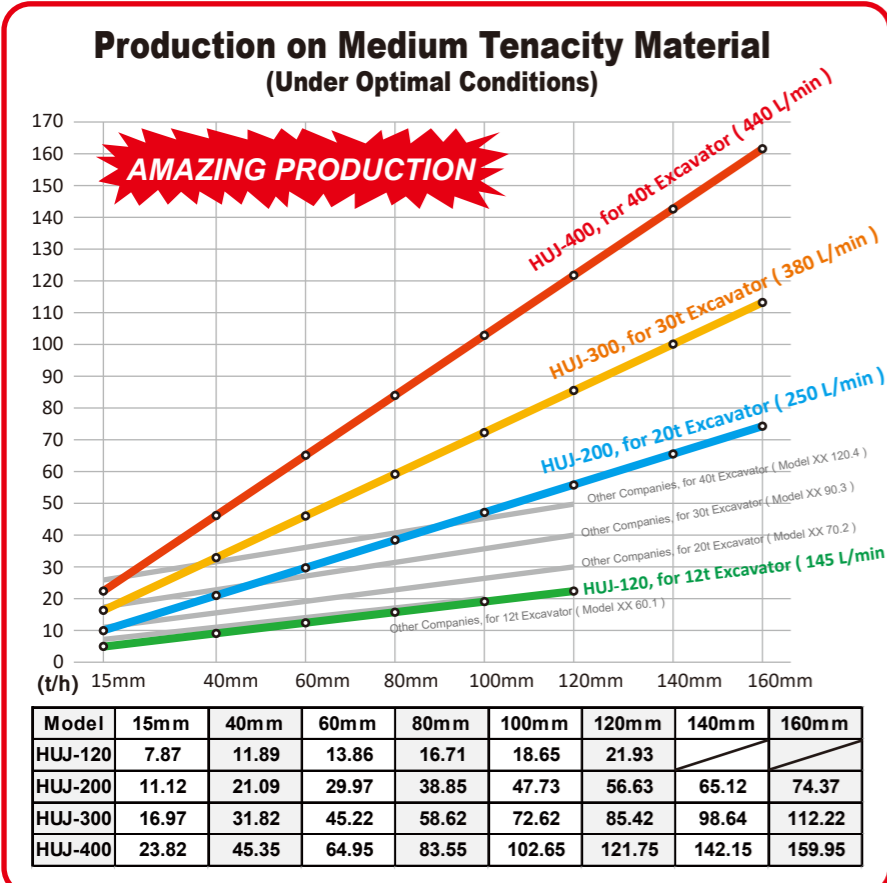
**PRODUCTION INCREASED 1.5 TIMES**  
(COMPARE WITH OTHER COMPANIES)

**NEW RELEASE**

**MOTOR SPEED REACH 500 RPM**

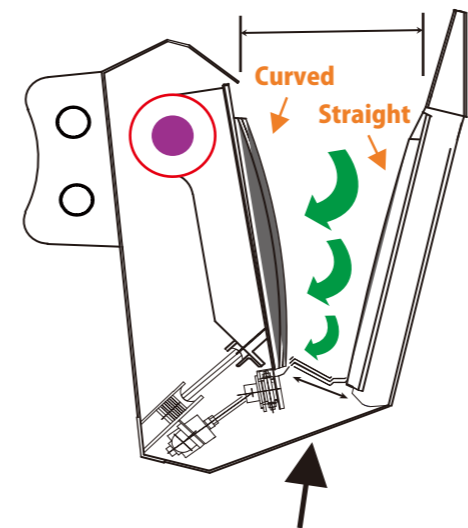
## FEATURE

- By using **Double Pump Confluence**, excavator's utmost performance can be reached. (Motor speed over 400rpm)
- Bold design of **Direct Drive Motor**, almost no transmission power loss.
- Only our products can do normal and reverse rotation at once. With reverse rotation, clogged materials can be easily released.
- Easier maintenance with **Direct Drive Motor** design.
- 24V magnet is optional.
- Return line is necessary.



## NEW Bucket Crusher – Large Opening Model

Feeding Size: 700 x 700mm



Output Size: 150 ~ 300mm

## FEATURE

- Larger opening size (700x700mm) which can load larger concrete.
- Larger discharge size (150 to 300mm) makes more production, about 3 to 5 times than normal hydraulic pulverizer.
- Normal crush is possible if replace the toggle plate.
- Special design of the Jaw Plates, one is curved one is straight.

| Model                | HUJ-120        | HUJ-200        | HUJ-300        | HUJ-400        |
|----------------------|----------------|----------------|----------------|----------------|
| Excavator Weight (t) | 10~15          | 20~25          | 30~40          | 40~50          |
| Bucket Capacity (m3) | 0.4            | 0.6            | 0.9            | 1.1            |
| Oil Pressure (Mpa)   | 24.5           | 24.5           | 24.5           | 24.5           |
| Oil Flow (l/min)     | 145            | 250            | 380            | 440            |
| Feeding Size (mm)    | 550x450        | 700x500        | 900x500        | 900x650        |
| Adjustment Size (mm) | 15~120         | 15~150         | 15~150         | 15~150         |
| Dimensions (mm)      | 1820x1080x1200 | 2246x1380x1440 | 2400x1660x1500 | 2815x1660x1700 |
| Overall Weight (kg)  | 1550           | 2700           | 3600           | 4300           |
| 24 Magnet (Option)   | 300x400        | 500x400        | 600x500        | 700x500        |



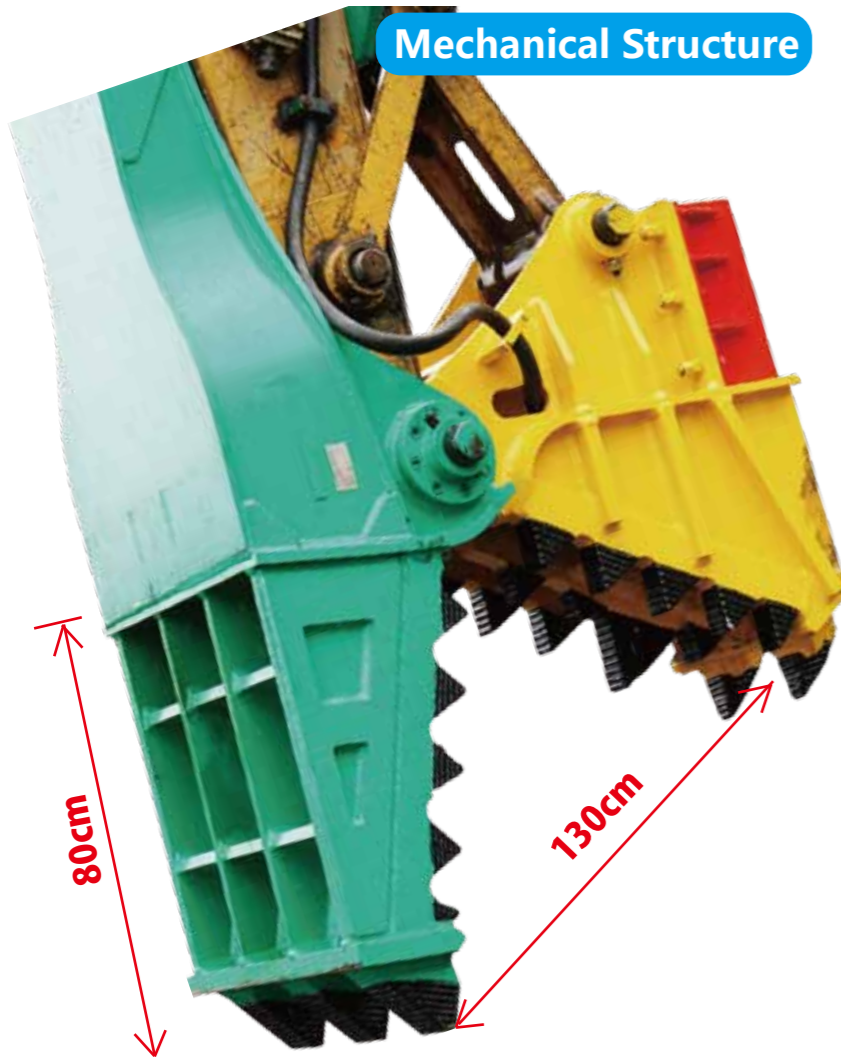
| Model                | KUJ-200   | KUJ-300   | KUJ-400    |
|----------------------|-----------|-----------|------------|
| Excavator Weight (t) | 20 ~ 25   | 30 ~ 35   | 40 ~ 50    |
| Bucket Capacity (m3) | 0.7       | 0.8       | 1.25       |
| Oil Pressure (Mpa)   | 24.5      | 24.5      | 24.5       |
| Oil Flow (l/min)     | 150       | 230       | 260        |
| Feeding Size (mm)    | 700 x 700 | 900 x 900 | 1100 x 900 |
| Output Size (mm)     | 150 ~ 300 | 150 ~ 300 | 150 ~ 300  |
| Overall Weight (kg)  | 3,000     | 4,300     | 5,500      |



# Mechanical Concrete Crusher

Video here → 

## Mechanical Structure

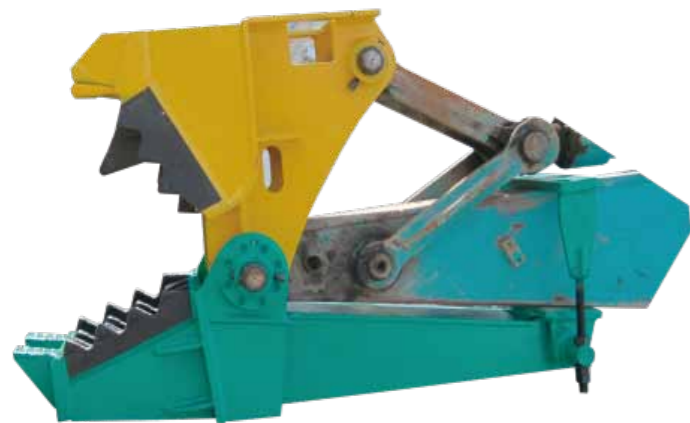


Magnet can be installed on the bottom

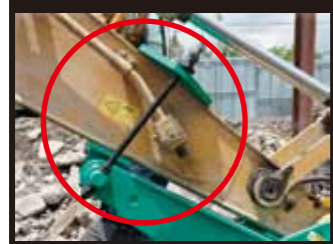


## Advantages

- Mechanical Structure.
- Low vibration, low noise, easy maintenance.
- Easy installation by using u-bend.
- Concrete strength should be lower than 50N/mm<sup>2</sup>
- Good visibility from the carrier machine.
- Magnet is Optional.



easy to mounting with U-band



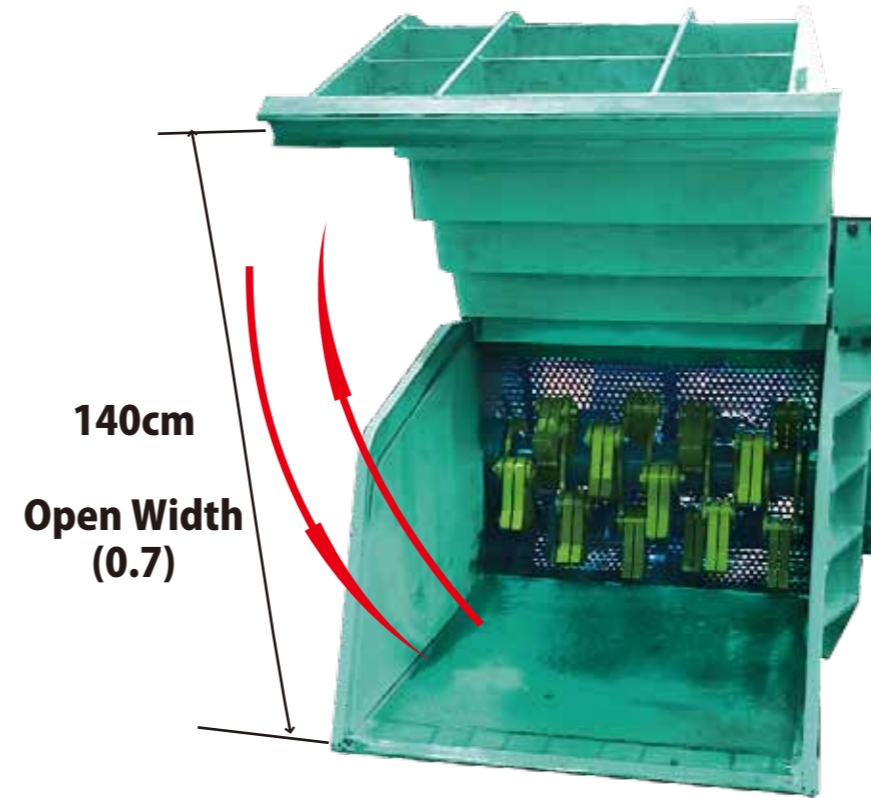
| Model                 |                      | NGC-70  | NGC-120 | NGC-200 |
|-----------------------|----------------------|---------|---------|---------|
| Excavator Weight      | (t)                  | 6~7     | 10~15   | 20~25   |
| Max. Opening Size     | (mm)                 | 450     | 770     | 800     |
| Front Crushing Power  | (N/mm <sup>2</sup> ) | 140     | 210     | 300     |
| Center Crushing Power | (N/mm <sup>2</sup> ) | 160     | 330     | 520     |
| Overall Weight        | (kg)                 | 360     | 600     | 1100    |
| Crushed Size          | (mm)                 | 100~200 | 100~200 | 100~200 |
| 24V Magnet            | (Option)             | 400x300 | 500x400 | 500x400 |

# Bucket Sand Crusher

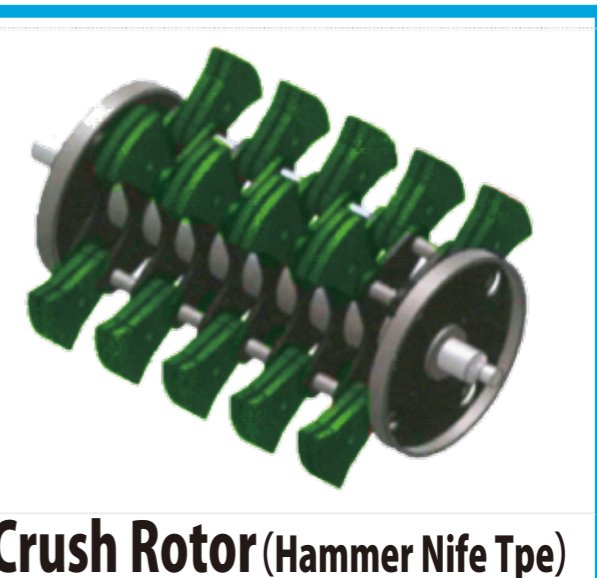
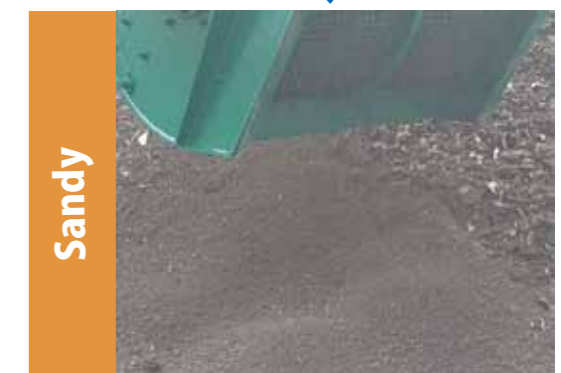
Video here → 

## [Features]

Crush rotors can do the sand crush, after crush the waste come out from the net!



| Model               |                   | BSC-120     | BSC-200     | BSC-300     |
|---------------------|-------------------|-------------|-------------|-------------|
| Excavator Weight    | (t)               | 12~15       | 18~23       | 25~30       |
| Bucket Capacity     | (m <sup>3</sup> ) | 0.4         | 0.6         | 1.0         |
| Hammer Nife         | (個)               | 24          | 36          | 52          |
| Bucket Width inside | (cm)              | 78          | 110         | 160         |
| Open Width          | (cm)              | 110         | 140         | 170         |
| Oil Flow            | (L/min)           | 120         | 170         | 200         |
| Hydraulic Pressure  | (MPa)             | 28          | 28          | 28          |
| Dimension           | (cm)              | 130×170×130 | 160×215×160 | 240×300×240 |
| Weight              | (kg)              | 1600        | 2950        | 4200        |



Crush Rotor (Hammer Nife Tpe)



# Cutter Prince

Video here →



Blades replaceable



CP-120

## Advantages

- Best for volume reduction of mixed waste.
- Larger opening width.
- Blades are all replaceable.
- Magnet is optional.

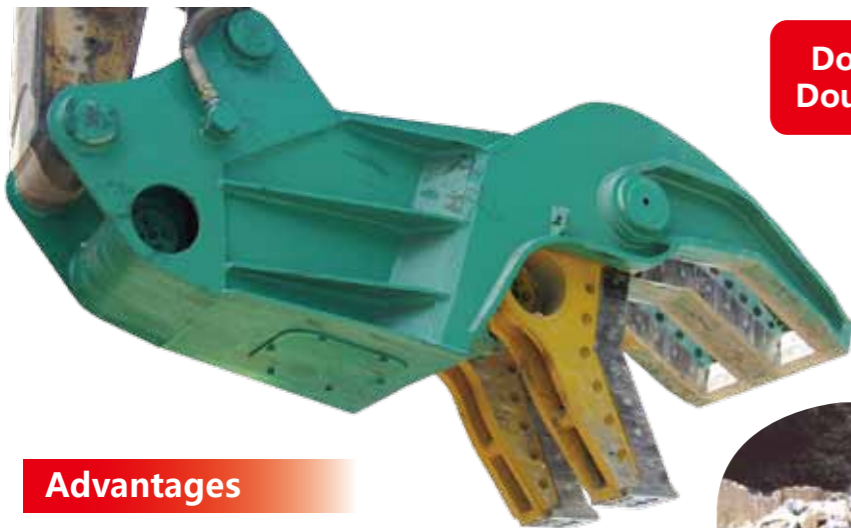
| Model            |       | CP-70 | CP-120  | CP-200  |
|------------------|-------|-------|---------|---------|
| Excavator Weight | (t)   | 6 ~ 7 | 10 ~ 15 | 20 ~ 25 |
| Blades Length    | (mm)  | 450   | 600     | 750     |
| Opening Size     | (mm)  | 520   | 770     | 810     |
| Oil Pressure     | (Mpa) | 28    | 28      | 28      |
| Overall Weight   | (kg)  | 600   | 1000    | 1600    |

# Cutter Force

Video here →



Blades replaceable



Double Blades  
Double Capacity

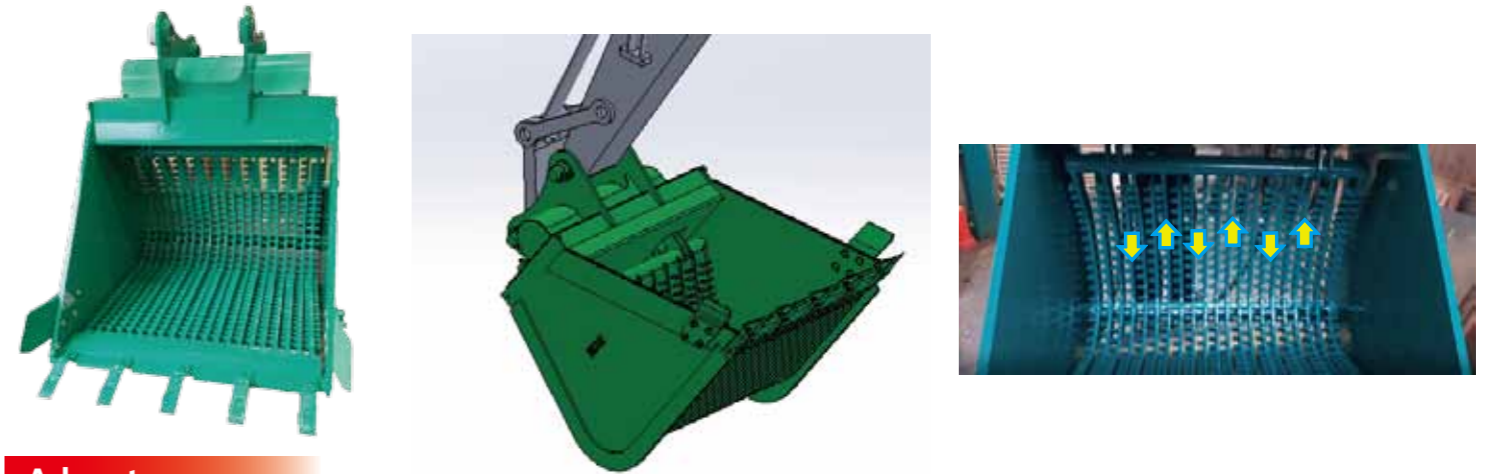


## Advantages

- Best for volume reduction of mixed waste.
- All blades are replaceable and made of HARDOX.
- Fishing net, waterproof vinyl, car tyre, waste plastic, waste woods can be cut off.
- Piano wire, hardened steel, truck tyre, H-beam, wirerope, concrete and stone need to be avoided.
- Speed valve is equipped as standard.

| Model             |       | CF-70  | CF-120   | CF-200   | CF-300   |
|-------------------|-------|--------|----------|----------|----------|
| Excavator Weight  | (t)   | 6~7    | 10~15    | 20~25    | 30~35    |
| Cutter Length     | (mm)  | 400    | 500      | 620      | 750      |
| Max. Opening Size | (mm)  | 450    | 650      | 850      | 950      |
| Oil Pressure      | (Mpa) | 28     | 32       | 32       | 32       |
| Overall Length    | (mm)  | 1200   | 2000     | 3280     | 3700     |
| Overall Weight    | (kg)  | 750    | 1200     | 2150     | 2680     |
| Speed Valve       |       | Option | Equipped | Equipped | Equipped |

# Zig Zag Screen



## Advantages

- Original link mechanism → Only the screen inside of the main unit moves up and down
- Hyper low noise compared to conventional skeleton operation
- Only the net vibrates up and down. No vibration on the bucket or excavator.  
Huge reduction of burden and stress to operators!  
Comfortable operation is promised!
- Drain piping is NOT required  
40mm net is provided.
- The screen (servant net) mutually operates "up and down" with high speed

A breaker pipe is needed for use of this product.

| Model            |       | ZS-200 |
|------------------|-------|--------|
| Excavator Weight | (t)   | 20~25  |
| Bucket Capacity  | (m³)  | 0.5    |
| Bucket Width     | (mm)  | 1210   |
| Oil Pressure     | (MPa) | 21     |
| Weight           | (kg)  | 1478   |

# Calm Screener

Video here →



## Advantages

Land Stably and work silently

- Ideal for on-site screening.
- Suitable for screening construction and demolition waste, wood waste, mixed waste, etc. by size.
- Screening mesh can be made to order from 10mm to 150mm.
- Screening panel can be replaced easily by using u-bolts



- Industrial Waste
- Wood Waste
- Construction Waste
- Stones and Sand



| Model            |       | CS-120    | CS-200    | CS-300    | CS-400    |
|------------------|-------|-----------|-----------|-----------|-----------|
| Excavator Weight | (t)   | 10~15     | 20~25     | 30~40     | 40~60     |
| Screen Mesh      | (mm)  | 1100x1100 | 1400x1400 | 1700x1700 | 2000x2000 |
| Vibration Range  | (mm)  | 220       | 220       | 220       | 220       |
| Bucket Capacity  | (m³)  | 0.5       | 0.8       | 1.6       | 2.4       |
| Motor Speed      | (rpm) | 120       | 100       | 100       | 100       |
| Mesh Size        | (mm)  | 10~150    | 10~150    | 10~150    | 10~150    |
| Overall Weight   | (kg)  | 1250      | 1850      | 2800      | 3600      |



# Bucket Shredder



Volume reduction before waste treatment. Size from 50,100,150mm



## Advantages

- This product is mainly used for crushing waste and reducing the volume before further treatment
- Plastic sheets, Woven sacks, Waste plastic, Tatami, Car tyre, Waste wood, etc. all can be crushed.
- Thumb cover can push and squeeze materials to the rotor, which will raise the work efficiency.
- With the tooth on the cover, this product can be used as a gripper.
- Thumb cover can prevent splash and keep scraps inside the bucket.
- Based on the requirement, Blades are choosable from 50mm, 100mm and 150mm.
- Drain line is necessary.

| Model                   | NSB-120 | NSB-200 | NSB-300 |
|-------------------------|---------|---------|---------|
| Excavator Weight (t)    | 10~15   | 20~25   | 30~35   |
| Rotor Diameter (mm)     | 400     | 400     | 500     |
| Rotor Length (mm)       | 800     | 1200    | 1400    |
| Rotor Speed (rpm)       | 30~120  | 30~120  | 30~120  |
| Max. Opening Width (mm) | 1050    | 1450    | 1700    |
| Overall Height (mm)     | 1500    | 1900    | 2300    |
| Overall Weight (kg)     | 1250    | 2200    | 3000    |



# Rubblade Cutter

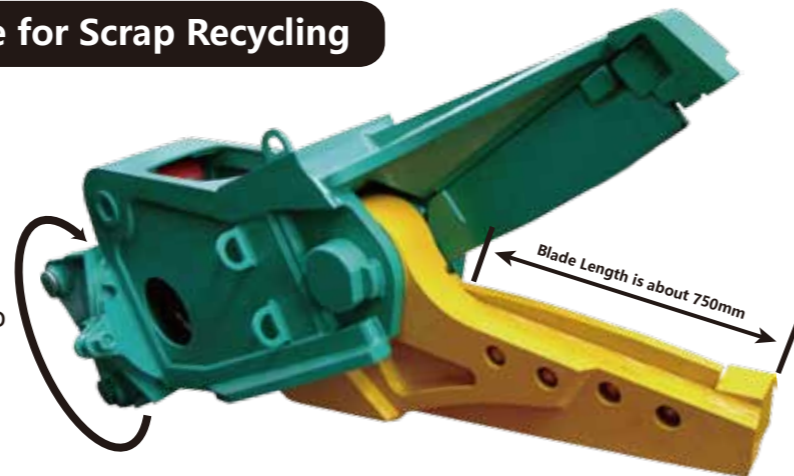


Working at nuclear power station in Fukushima

Movable Blade Structure, Suitable for Scrap Recycling

## Advantages

- Disk Spring Structurer of Blades
- Body and blade are all build with HARDOX.
- Piano wire, 300mm H-beam, rock, concrete, wire rope, quenched steel, etc. are not able to be cut off, which may damage the blade.
- Fixed and free rotation type are available



H-Beam Steel: 500x200



Able to cut truck tyre  
(remove the tyre wire before hand)

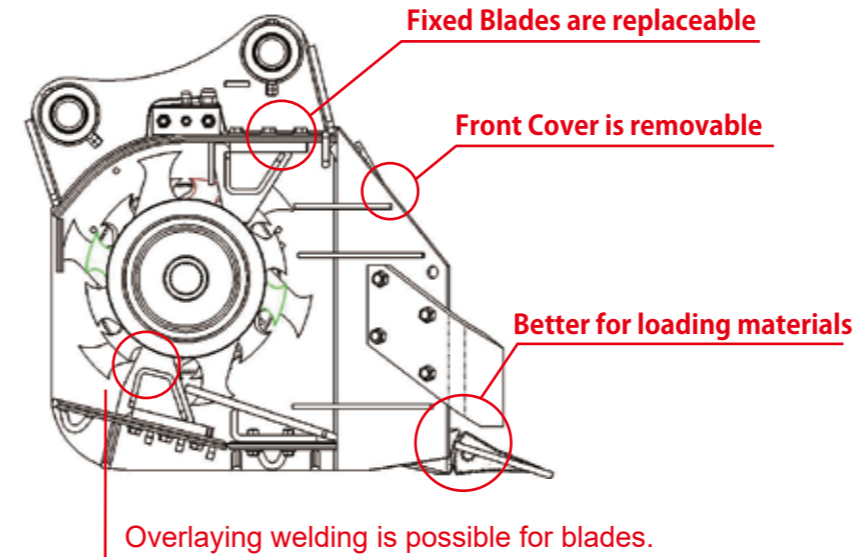
| Model                  | UZ-70F | UZ-120F | UZ-200F | UZ-300F | UZ-400F |
|------------------------|--------|---------|---------|---------|---------|
| Excavator Weight (t)   | 6~7    | 10~15   | 20~25   | 30~35   | 40~60   |
| Max. Opening Size (mm) | 400    | 450     | 600     | 720     | 830     |
| Overall Length (mm)    | 1800   | 2250    | 2500    | 3000    | 3600    |
| Cutter Length (mm)     | 400    | 600     | 750     | 820     | 910     |
| Cutting Power (t)      | 60     | 90      | 120     | 150     | 200     |
| Overall Weight (kg)    | 650    | 1200    | 2200    | 3100    | 4500    |

Speed valve is optional

# Bucket Smasher



Bucket Cover Type (Optional)



## Advantages

- This product is mainly use for crushing concrete waste.
- Blades are made of HARDOX
- Direct drive motor makes normal and reverse rotation possible.
- Overlying welding is possible for blades.
- Waste concrete, waste plastic, wood pallet, tatami, tile can be crushed.
- Drain line is necessary.

| Model                       | UF-70           | UF-120            | UF-200             | UF-300             |
|-----------------------------|-----------------|-------------------|--------------------|--------------------|
| Excavator Weight (t)        | 6 ~ 7           | 10 ~ 15           | 20 ~ 25            | 30 ~ 40            |
| Bucket Capacity (m3)        | 0.2             | 0.38              | 0.55               | 0.85               |
| Rotor Speed (rpm)           | 100             | 100               | 100                | 100                |
| Oil Pressure (Mpa)          | 28              | 32                | 32                 | 32                 |
| Oil Flow (l/min)            | 100             | 180               | 300                | 350                |
| Opening Size (mm)           | 700 x 400       | 900 x 500         | 1300 x 650         | 1500 x 700         |
| Discharge size (mm)         | 150             | 150               | 150                | 150                |
| Overall Dimensions (mm)     | 900 x 900 x 900 | 1100 x 950 x 1000 | 1440 x 1130 x 1250 | 1600 x 1600 x 1600 |
| Overall Weight (kg)         | 700             | 1200              | 2010               | 3000               |
| Production Efficiency (t/h) | 1 ~ 3           | 2 ~ 5             | 4 ~ 7              | 6 ~ 10             |



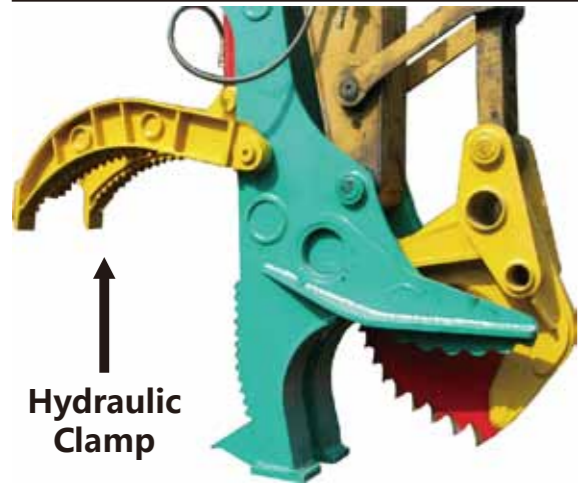
Bucket Hopper (Optional)





# Clamp Alligator

Video here → 



Hydraulic Clamp

## Advantages

- Mechanical structure, easy maintenance
- Movable saw blade is using the power of arm cylinder.
- Sharp cutting power with our own special saw design
- Drain line is not necessary.



## U-bend for Installation



| Model                      | FWV-70       | FWV-120       | FWV-200       |
|----------------------------|--------------|---------------|---------------|
| Excavator Weight (t)       | 6~7          | 12~13         | 20~25         |
| Cutter Blade               | Saw Blade    | Saw Blade     | Saw Blade     |
| Max. Opening Size (mm)     | 410          | 820           | 1000          |
| Max. Cutting Diameter (mm) | 300          | 500           | 600           |
| Dimensions (mm)            | 1500x390x980 | 2170x480x1450 | 2500x620x1650 |
| Overall Weight (kg)        | 900          | 1220          | 1950          |

FWV: Clamp Alligator with Clamp / WV: Alligator without Clamp



# Eco Alligator



## Advantages

- Cutting and Grapping only with one cylinder
- Drain line is necessary.



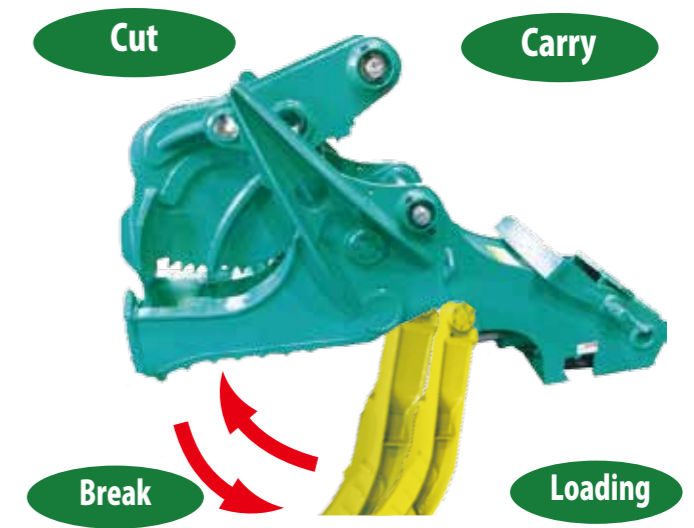
| Model                      | GW-70V       | GW-120V       | GW-200V       |
|----------------------------|--------------|---------------|---------------|
| Excavator Weight (t)       | 6~7          | 10~15         | 20~25         |
| Cutter Blade               | Saw Blade    | Saw Blade     | Saw Blade     |
| Max. Opening Size (mm)     | 500          | 750           | 900           |
| Max. Cutting Diameter (mm) | 300          | 400           | 500           |
| Oil Pressure (MPa)         | 28           | 32            | 32            |
| Dimensions (mm)            | 1850x540x840 | 2260x680x1190 | 2850x720x1500 |
| Overall Weight (kg)        | 800          | 1250          | 1950          |

# Clamp Alligator TX

Video here → 



Make it be chips and boost up the working efficiency



Cutting Blade

AFTER

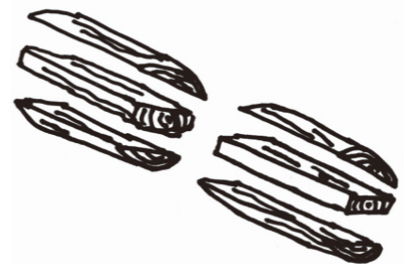
BEFORE



Pre-treated For Construction Wasted

Wood (300Φ mm)

● Cut and Catch in 1 machine!



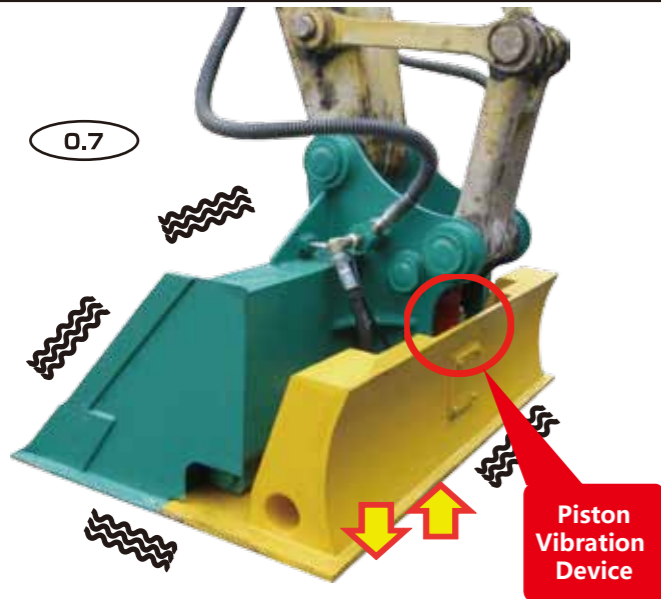
split in many pieces

| 機種                     | WRY-70/<br>FWRY-70 | WRY-120/<br>FWRY-120 | WRY-200/<br>FWRY-200 |
|------------------------|--------------------|----------------------|----------------------|
| Excavator Weight (T)   | 6~7                | 10~15                | 20~25                |
| Cutter Blade           | Saw Blade          | Saw Blade            | Saw Blade            |
| Max. Opening Size (cm) | 41                 | 82                   | 100                  |
| Max. Cut Diameter (cm) | 30                 | 40                   | 60                   |
| Fork Open Width (cm)   | 90                 | 120                  | 150                  |
| Dimensions (cm)        | 150×39×80          | 217×48×125           | 250×62×140           |
| Overall Weight (kg)    | 350/600            | 800/1100             | 1100/1800            |



# Vibro Slope Bucket

Video here → 



## Advantages

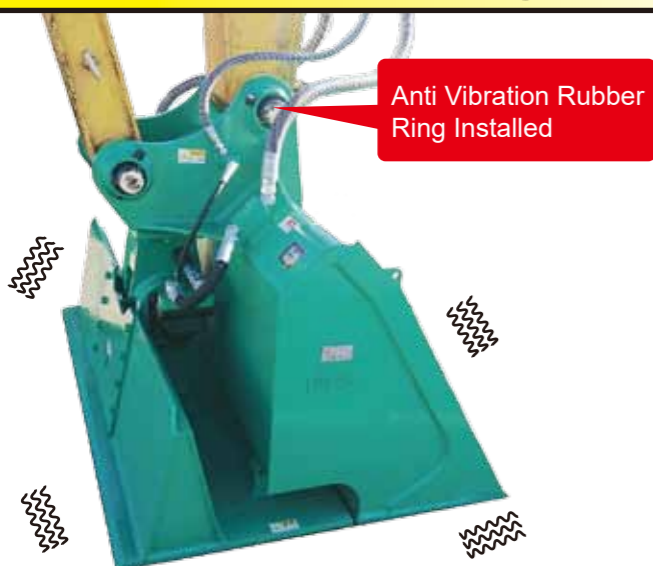
- Wide bucket with vibration function.
- Suitable for large area construction, such as levees construction, slope surface protection works, river construction, etc.
- Piston vibration device with strong compaction, will not damage the excavator.
- Drain line is not necessary.



| Model                      | TNB-70 | TNB-120 | TNB-200 |
|----------------------------|--------|---------|---------|
| Excavator Weight (t)       | 6 ~ 9  | 10 ~ 16 | 18 ~ 26 |
| Bucket Capacity (m3)       | 0.2    | 0.4     | 0.6     |
| Bucket Width (mm)          | 900    | 1500    | 2000    |
| Vibration Plate Width (mm) | 900    | 1400    | 1900    |
| Vibration Frequency (vpm)  | 1800   | 1800    | 1800    |
| Vibration Power (t)        | 12.1   | 19.8    | 27.5    |
| Vibration Amplitude (mm)   | 2 ~ 10 | 2 ~ 10  | 2 ~ 10  |
| Oil Pressure (MPa)         | 28     | 28      | 28      |
| Overall Weight (kg)        | 520    | 1050    | 1450    |

# Vibro Bucket King - Slope

Video here → 



- Eccentric Vibration
- Low Noise Level and Low Vibration to the Cab

| Model                      | TTN-70  | TTN-120 | TTN-200  |
|----------------------------|---------|---------|----------|
| Excavator Weight (t)       | 6 ~ 9   | 10 ~ 16 | 18 ~ 26  |
| Bucket Capacity (m3)       | 0.2     | 0.4     | 0.6      |
| Bucket Width (mm)          | 900     | 1500    | 2000     |
| Vibrations Frequency (vpm) | 1200    | 1200    | 1200     |
| Compaction Power (ton)     | 12      | 20      | 28       |
| Vibration Stroke (mm)      | 3       | 3       | 3        |
| Oil Flow (l/min)           | 45 ~ 60 | 60 ~ 90 | 90 ~ 120 |
| Oil Pressure (kg)          | 28      | 32      | 32       |
| Overall Weight (kg)        | 450     | 1100    | 1300     |

# Vibro Bucket King

Video here → 

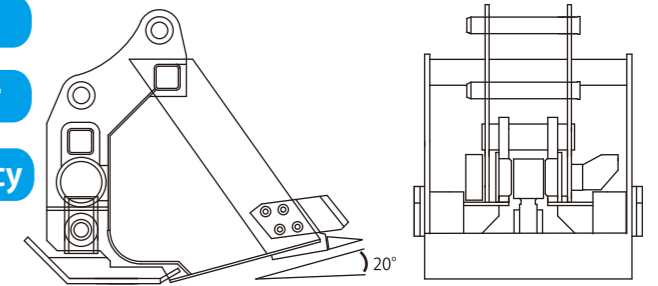


Wider Vibration Plate can be easily Attached at the bottom

Low Noise

High Power

High Efficiency




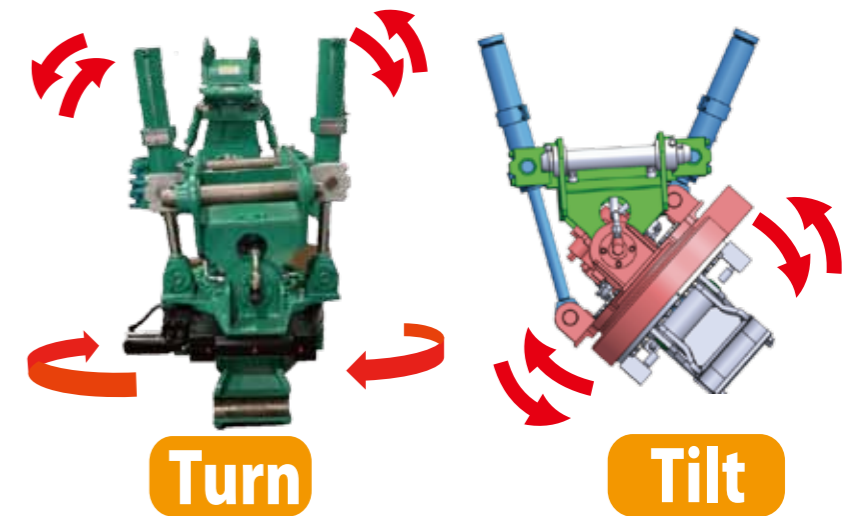
## Advantages

- Eccentric Vibration
- Low Noise Level and Low Vibration to the Cab
- 20 degree lifted of front plate for better controlling

| Model                      | TT-40 | TT-50 | TT-70 | TT-120  | TT-200  |
|----------------------------|-------|-------|-------|---------|---------|
| Excavator Weight (t)       | 4-5   | 6 ~ 7 | 7 ~ 9 | 10 ~ 16 | 18 ~ 26 |
| Bucket Capacity (m3)       | 0.12  | 0.18  | 0.23  | 0.38    | 0.65    |
| Bucket Width (mm)          | 400   | 500   | 600   | 800     | 1000    |
| Vibration Plate Width (mm) | 400   | 500   | 600   | 750     | 980     |
| Vibration Frequency (vpm)  | 1800  | 1800  | 1800  | 1800    | 1800    |
| Vibration Power (t)        | 4.4   | 8     | 12.4  | 19.8    | 27.5    |
| Vibration Amplitude (mm)   | 6     | 6     | 6     | 6       | 6       |
| Oil Pressure (MPa)         | 21    | 25    | 28    | 28      | 28      |
| Overall Weight (kg)        | 280   | 350   | 450   | 900     | 1300    |

# Nice Lock(Tilt Rotator)

Video here → 



- Tilt-rotator with an innovative structure developed by Ueda Industries
- By our unique linkage design, the length of the tilt cylinder is half size of foreign-made ones.
- Compatible with all Japanese brand standard excavator buckets.
- Available in series from mini backhoe to 20T Excavator.
- Nice-Lock to be used with other than hydraulic breaker (hydraulic breaker specification is optional)

| Model                 | NL-200  |
|-----------------------|---------|
| Excavator Weight (t)  | 20~25   |
| Pin-to-pin range (mm) | 350~550 |
| Arm tip width (mm)    | 300~340 |
| pin Diameter (mm)     | Φ80     |
| Overall Weight (kg)   | 980     |



# Super Brush Chopper



Video here → 



Cut from top or trunk of the tree



Select different blades for different operating conditions

|   |   |
|---|---|
| <p><b>A Type Blade</b><br/>(Die Steel)</p> <p>Suitable for<br/><b>Standing Tree</b><br/><b>Fallen Tree</b></p>  | <p><b>B Type Blade</b><br/>(Tungsten Carbide)</p> <p>Suitable for<br/><b>Standing Tree</b><br/><b>Stump</b></p>  |
|---|---|

exchangeable

| Model                 | SBC-70 | SBC-120 | SBC-200 |
|-----------------------|--------|---------|---------|
| Excavator Weight (t)  | 6~7    | 10~15   | 20~25   |
| Rotor Width (mm)      | 600    | 950     | 1300    |
| Rotating Speed (rpm)  | 1400   | 1600    | 1600    |
| Numbers of Blades     | 11     | 16      | 24      |
| Cutting Diameter (mm) | 250    | 300     | 400     |
| Oil Pressure (Mpa)    | 24.5   | 24.5    | 24.5    |
| Oil Flow (l/min)      | 90     | 150     | 220     |
| Overall Weight (kg)   | 650    | 1000    | 1700    |



Φ400mm Tree



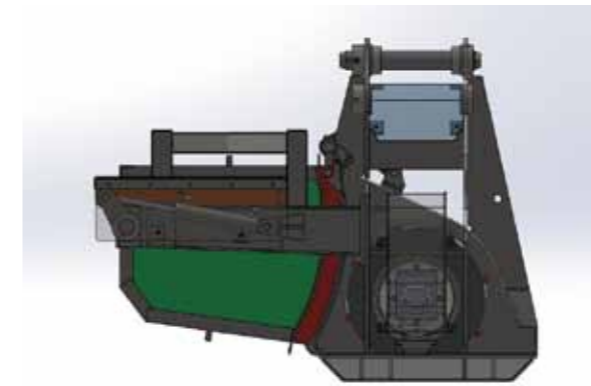
- Smashing tree, bamboo, grass and for ground foundation
- 360 degree rotation can always keep best cutting angle in different places (optional)
- Easy maintenance because of bolt-on blades
- More durable with **Tungsten Carbide Blades**
- **Die Steel Blades** for better cutting performance
- Drain line is necessary

# Super Brush Chopper with collector

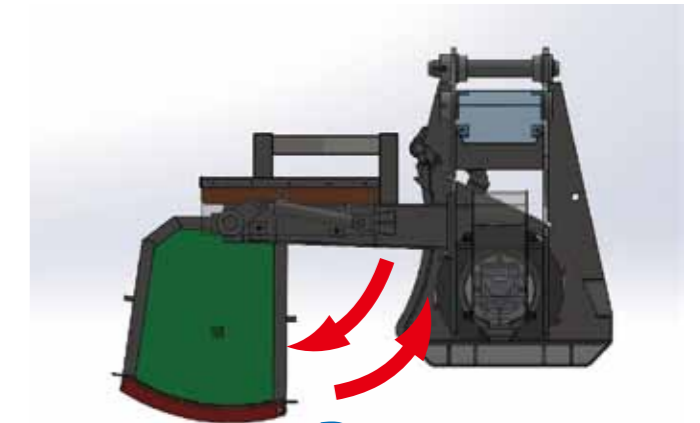


Best choice for deforestation

- Grass, Bamboo, Tree is possible
- Waste could be collected easily



Collect



Dump

Select different blades for different operating conditions



A Type Blade B Type Blade

| Model                      | SBC-70K | SBC-120K | SBC-200K |
|----------------------------|---------|----------|----------|
| Excavator Wight (t)        | 6~7     | 10~15    | 20~25    |
| Rotor width (mm)           | 600     | 950      | 1300     |
| Rotation speed (rpm)       | 1400    | 1600     | 1600     |
| Number of Blade            | 11      | 16       | 24       |
| Cutting Diameter (mm)      | 150     | 200      | 300      |
| Cutting Depth (mm)         | 25      | 25       | 25       |
| Cutting Depth (Grass) (mm) | 20      | 20       | 20       |
| Cutting Depth (Under) (mm) | 80      | 80       | 80       |
| Oil Flow (l/min)           | 90      | 200      | 200~250  |
| Hydraulic Pressure (MPa)   | 24.5    | 28       | 28       |
| Wight (kg)                 | 700     | 1285     | 1700     |



# Steel Plate Magnet (24V)

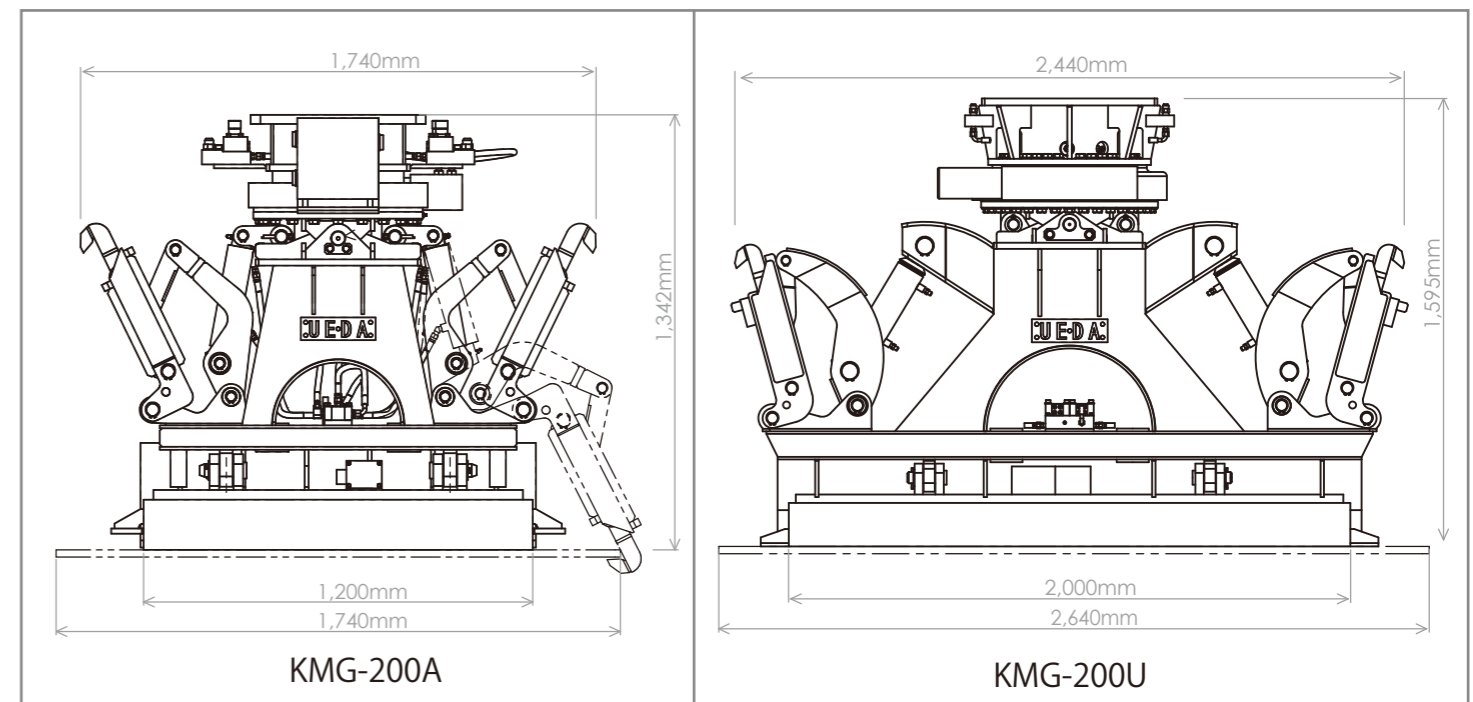


- Safely**
- Efficiently**
- Precisely**



## Advantages

- Double protection with magnet and clamp.
- Lifting with magnet, holding with clamp.
- Placing more precisely with 360 degree rotation
- No need with hooks and chains, much increased working efficiency and safety.
- No extra power pack, only using battery power from excavator.



## Supported Steel Plate Sizes

| Metric units | Model |       | KMG-200A |       |       |       | KMG-200U |       |       |
|--------------|-------|-------|----------|-------|-------|-------|----------|-------|-------|
|              | Width | (mm)  | 1,300    | 1,500 | 1,500 | 1,700 | 1,800    | 1,800 | 2,045 |
| Length       | (mm)  | 6,000 | 5,000    | 6,000 | 5,000 | 6,000 | 6,000    | 6,000 |       |
| Thickness    | (mm)  | 13    | 15       | 15    | 15    | 15    | 15       | 15    |       |
| Weight       | (kg)  | 800   | 900      | 1,080 | 1,020 | 1,300 | 1,300    | 1,300 |       |

| Imperial units | Model |       | KMG-200A |       |       |       | KMG-200U |       |   |
|----------------|-------|-------|----------|-------|-------|-------|----------|-------|---|
|                | Width | (ft)  | 5        | 5     | 6     | 8     | 8        | 8     | 8 |
| Length         | (ft)  | 8     | 10       | 10    | 10    | 12    | 16       | 20    |   |
| Thickness      | (in)  | 1     | 1        | 1     | 1     | 1     | 1        | 1     |   |
| Weight         | (lbs) | 1,634 | 2,042    | 2,545 | 3,267 | 3,921 | 5,248    | 6,534 |   |

| Model               |       | KMG-200A                     | KMG-200U                     |
|---------------------|-------|------------------------------|------------------------------|
| Excavator Weight    | (ton) | 12 - 25                      | 20 - 30                      |
| Magnet Dimensions   | (mm)  | 1,200(L) x 400(W) x 150(H)   | 2,000(L) x 400(W) x 150(H)   |
| Voltage             | (V)   | 24                           | 24                           |
| Electric Current    | (A)   | 48                           | 48                           |
| Max. Lifting Weight | (kg)  | 2,000                        | 3,500                        |
| Max. clamp width    | (mm)  | 1,300 - 1,740                | 2,000 - 2,640                |
|                     | (ft)  | 5                            | 8                            |
| Rotation            |       | 360 degree                   | 360 degree                   |
| Oil Pressure        | (MPa) | 25                           | 25                           |
| Overall Dimensions  | (mm)  | 1,375(L) x 760(W) x 1,060(H) | 2,400(L) x 840(W) x 1,600(H) |
| Overall Weight      | (kg)  | 1,300                        | 2,050                        |